



## CUSTOMER SERVICE & SUPPORT

[www.fellowes.com](http://www.fellowes.com)

Europe Freephone: 00800-1810-1810

Benelux: +31-(0)-13-458-0580

Deutschland: +49 (0)511 545489-0

France: +33 (0) 1 78 64 91 00

Italia: +39-071-730041

Polska: +48 (22) 205-21-10

España/Portugal: +34-91-748-05-01

United Kingdom: +44 (0) 1302 836836

Australia: 1800 33 11 77

## Declaration of Conformity

### Fellowes, Inc.

Unit 2 Ontario Drive, New Rossington, Doncaster, DN11 0BF, England declares that the product model Levado™ Height Adjustable Desk Base conforms with the requirements of the Low Voltage Directive (2014/35/EU), the Electromagnetic Compatibility Directive (2014/30/EU), the Restriction of Hazardous Substances Directive (2011/65/EU) and (2015/863/EU), the WEEE directive (2012/19/EU), the Eco Design Directive (2009/125/EC), and the below harmonized European EN Standards.

### Mechanical Safety:

EN 527-1: 2011

EN 527-2: 2016

EN 1730: 2012

### Electrical Safety:

EN 60335-1: 2017

EN 62233: 2008

EN 61558-1: 2009

EN 61558-2-16: 2013

### EMC:

EN 55014-1: 2017

EN 55014-2: 2015

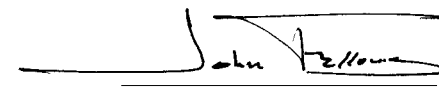
EN 61000-3-2: 2014

EN 61000-3-3: 2013

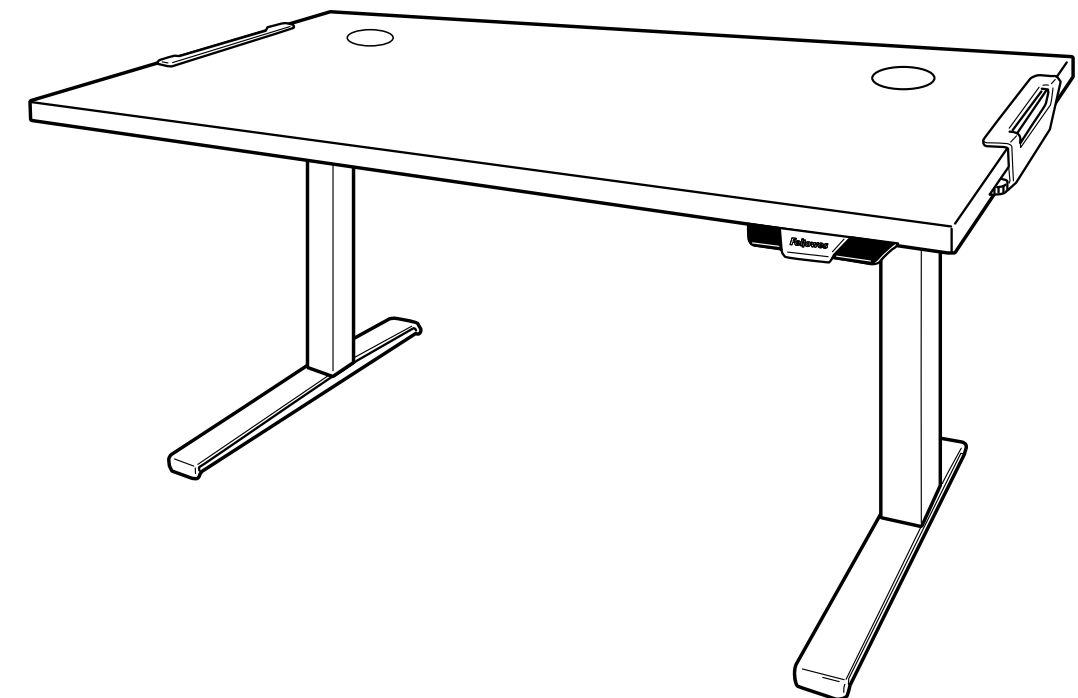
### ErP:

EN 50563: 2011/A1: 2013

Year Affixed: 18  
Itasca, Illinois, USA  
August 1, 2018

  
John Fellowes

## Levado™ Height Adjustable Desk Base



PLEASE READ INSTRUCTIONS BEFORE USE.  
DO NOT DISCARD.

LIRE LES INSTRUCTIONS AVANT UTILISATION.  
NE PAS JETER.

LEA LAS INSTRUCCIONES ANTES DEL USO.  
NO TIRAR.

BITTE LESEN SIE DIE ANLEITUNGEN SORGFÄLTIG DURCH,  
BEVOR SIE DAS GERÄT BENUTZEN.  
BITTE GUT AUFBEWAHREN.

LEGGERE LE ISTRUZIONI PRIMA DELL'USO.  
NON GETTARE.

LEES DE INSTRUCTIES VOOR GEBRUIK.  
NIET WEGWERPEN.

LÄS DESSA INSTRUKTIONER FÖRE ANVÄNDNING.  
KASSERA EJ.

PRZED UŻYCIEM PROSZĘ PRZECZYTAĆ NINIEJSZĄ INSTRUKCJĘ.  
NIE WYRZUCAĆ.

ПЕРЕД ИСПОЛЬЗОВАНИЕМ ПРОСЬБА ОЗНАКОМИТЬСЯ С  
ИНСТРУКЦИЯМИ.  
НЕ ВЫБРАСЫВАТЬ.

LEIA AS INSTRUÇÕES ANTES DA UTILIZAÇÃO.  
NÃO AS ELIMINE.



1789 Norwood Avenue, Itasca, Illinois 60143 • 1-800-955-0959 • [www.fellowes.com](http://www.fellowes.com)

# ENGLISH

## Levado™ Height Adjustable Desk Base

### SAFETY INSTRUCTIONS/WARNING

#### WARNING: IMPORTANT SAFETY INSTRUCTIONS – Read Before Using!

- CAUTION: Lift hazard! Two people are required to move desk. Serious injury may occur.
- DO NOT EXCEED MAXIMUM STATED WEIGHT CAPACITY. SERIOUS INJURY OR PROPERTY DAMAGE MAY OCCUR.
- Do Not operate table if any part is damaged or defective.
- Do Not place obstacles in the desk's path.
- Do Not place objects under the desk that are taller than 610mm (24").
- Make sure the desk has proper clearance on all sides (at least 25mm (1")) to all surrounding walls and objects.
- Do Not sit or stand on the desk.
- Do Not disassemble the legs, control box or controller. Serious injury may occur.
- Ensure all cable lengths are long enough to accommodate all changes in height and follow cord routing instructions in this manual. Failure to follow these instructions may result in equipment damage or personal injury.
- Keep liquids away from all electrical components. Only clean electrical components with a dry cloth.
- For indoor use only.
- Keep power cable away from sources of heat.
- Unplug desk before moving or servicing.
- Remove all equipment and accessories from the desk before moving.
- Keep children away from moving parts and underneath the desk.

#### Maximum Weight Including Table Top

≤ 100 kg  
≤ 220 lbs

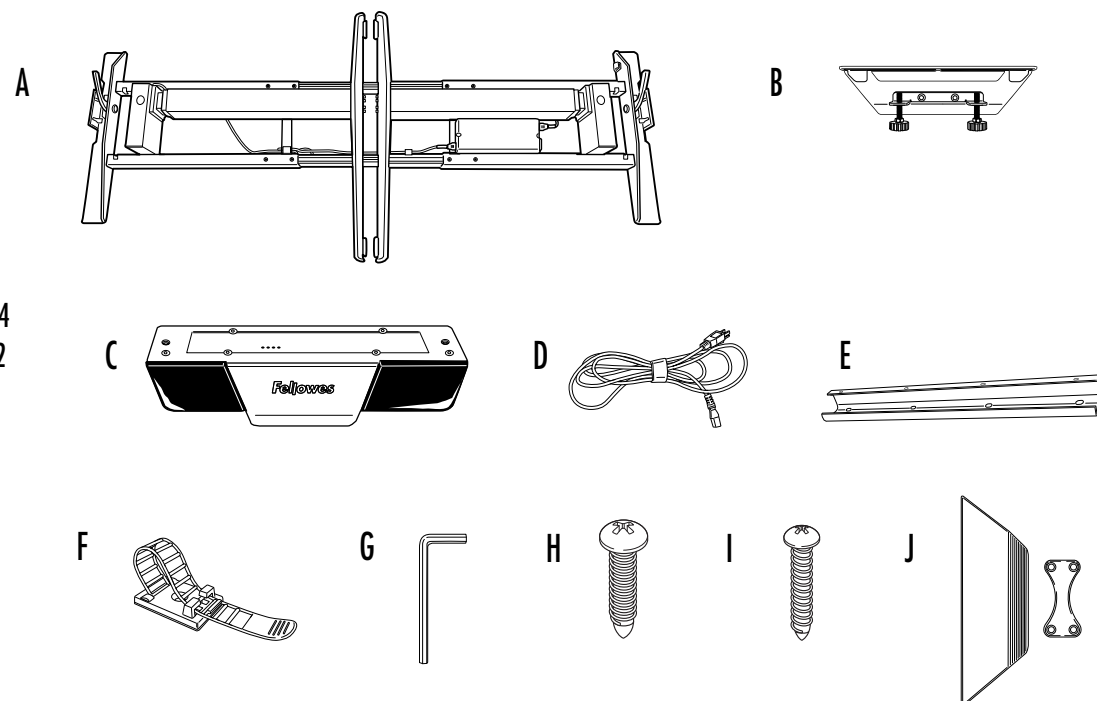


Accommodates table tops with the following dimensions:

- Width: 1187 - 1816mm
- Depth: 700 - 800mm
- Thickness: 19 - 31.75mm

### PARTS PROVIDED

- A Base x1
- B Clamp x2
- C Handset x1
- D Power cable x1
- E Cable Tray x1
- F Cable Management x4
- G 5mm Allen Key x1
- H M6 Phillips round head screw x14
- I M3 Phillips round head screws x2
- J Clamp Covers x2



#### Additional Tools Required

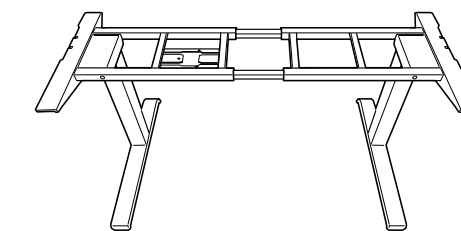
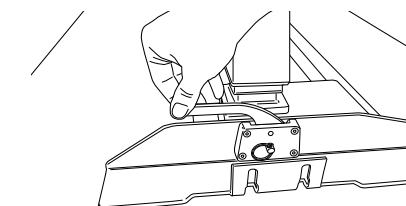
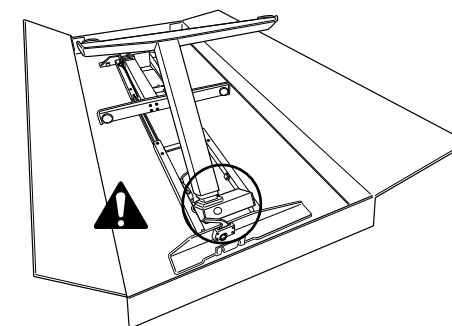
Phillips Screw Driver

### INSTALL OPTION 1 - CLAMPS

#### STEP 1

##### Unboxing

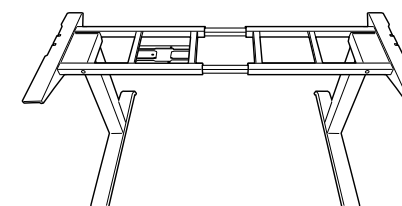
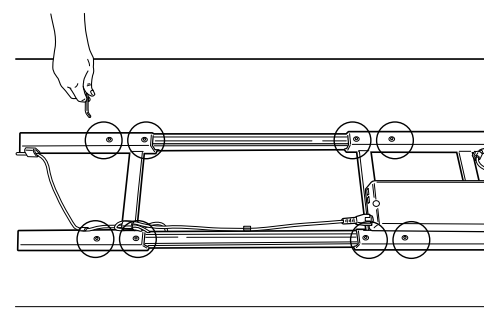
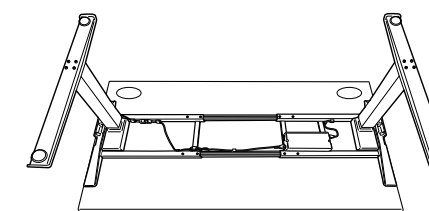
- Open box from the top.
- Ensure levers on base are in the upright position.
- Fold out legs until they click. **⚠ WARNING: Pinch Point!** Keep hands and objects clear when lifting legs.
- Lock legs into place by pushing down on levers.
- Optional: If legs need to be folded, ensure lever is in the upright position and power is unplugged. Pull out pin and carefully guide legs to folded position.
- Using two people, flip the base upright.
- The base arrives adjusted for 1600mm (63") wide tables. If your table is not 1600mm (63") wide you will need to adjust the base width 1187 – 1816mm (47" - 71.5"). See step 1B, otherwise move on to step 2.



#### STEP 1B - Only required if table is not 1600mm (63") wide

Adjust the cross channels to their final lengths

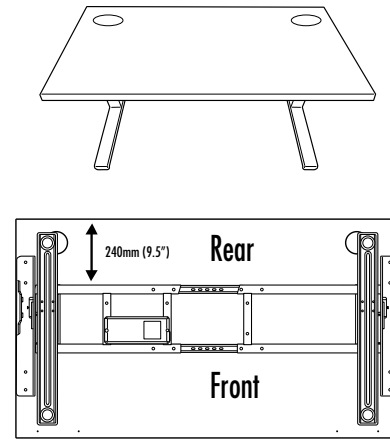
- Using two people, place table face down on a soft, clean surface and place base on table.
- Use the 5mm Allen key to loosen the (8) set screws on the inward side of the cross channels.
- Expand or contract the cross channels until flush with both ends of the desk. Free cables as necessary to allow the frame to adjust.
- Once properly adjusted, use the 5mm Allen key to re-tighten the set screws (8 total).
- Using two people, flip the base only upright.



## STEP 2

Adjust the position of the frame before attaching it to the table

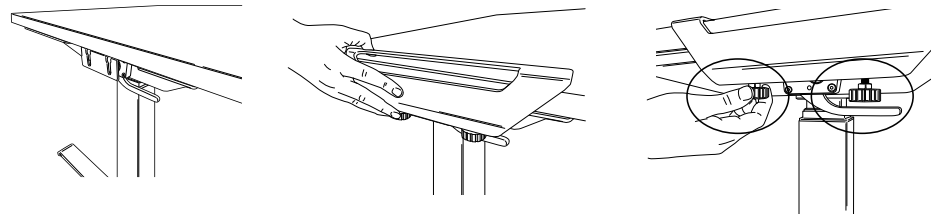
- Using two people, place the table top on the base.
- Check that the table top supports on each side are flush to both ends of the desktop and align to the predrilled holes on the desktop.
- The rear cross channel will be 240mm (9.5") for 800mm (31.5") Depth Tops from the rear of the table.



## STEP 3

Clamping base to table

- Slide clamps on each side of the table.
- On each clamp, tighten the (2) thumb screws until each click.

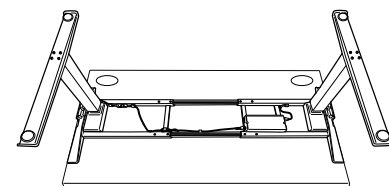
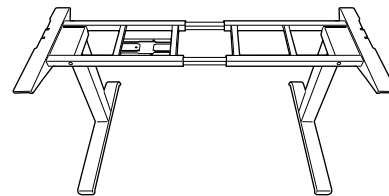
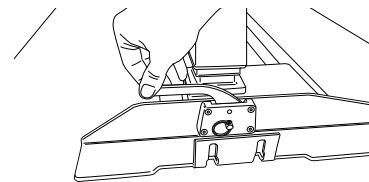
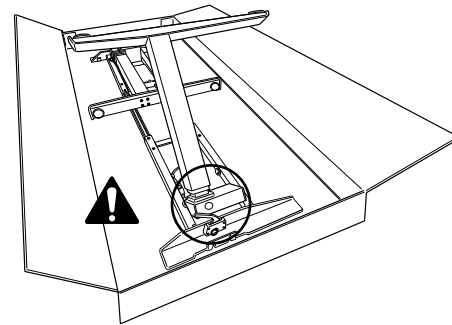


## INSTALL OPTION 2 - HARDWARE

### STEP 1

Preparing for installation using two people

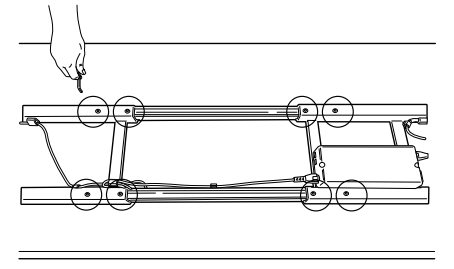
- Place table face down on a soft, clean surface.
- Ensure levers on base are in the upright position.
- Fold out legs until they click, **! WARNING: Pinch Point!** Keep hands and objects clear when lifting legs.
- Lock legs into place by pushing down on levers.
- Optional: If legs need to be folded, ensure lever is in upright position and power is unplugged. Pull out pin and carefully guide legs to folded position.
- Lift base out of box and place on table.
- The base arrives adjusted for 1600mm (63") wide tables. If your table is not 1600mm (63") wide you will need to adjust the base width 1187 – 1816mm (47" - 71.5"). See step 1B, otherwise move on to step 2.



## STEP 1B - Only required if table is not 1600mm (63") wide

Adjust the cross channels to their final lengths

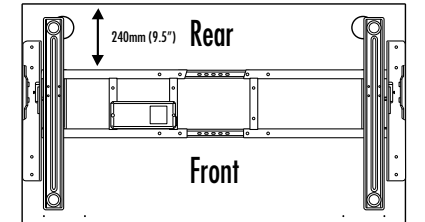
- Use the 5mm Allen key to loosen the (8) set screws on the inward side of the cross channels.
- Expand or contract the cross channels until flush with both ends of the desk. Free cables as necessary to allow the frame to adjust.
- Ensure proper alignment to predrilled holes on the desktop.
- Once properly adjusted, use the 5mm Allen key to re-tighten the set screws (8 total).



## STEP 2

Adjust the position of the frame before attaching it to the table.

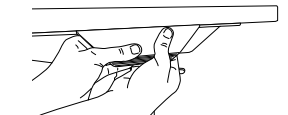
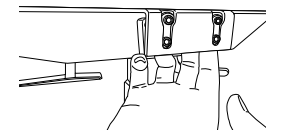
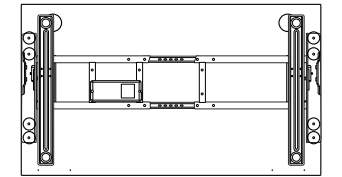
- Check that the top supports on each side are flush to both ends of the desktop and align to the predrilled holes on the desktop.
- The rear cross channel will be 240mm (9.5") for 800mm (31.5") Depth Tops from the rear of the table.



## STEP 3

Attach base to the table

- Use the M6 Phillips round head screws (8 total required) and a Phillips screwdriver.
- The screws fit through guides in the top of the supports. Ensure proper alignment with predrilled holes on the desktop.
- Using two people, flip the Base and Table upright.
- Attach clamp covers to each side. Start by placing the smaller piece on the inside of the clamp bracket. Align the larger piece and apply pressure to secure.

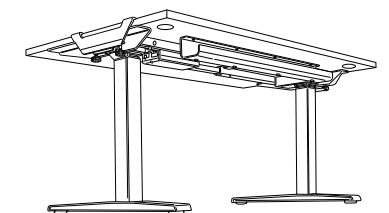
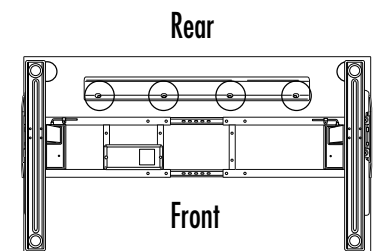


## ACCESSORY INSTALLATION

### STEP 1

Cable Management

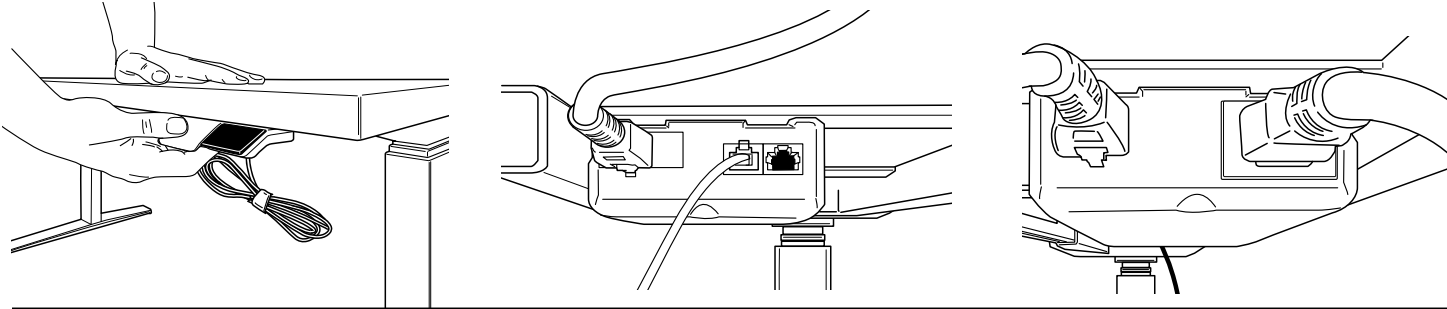
- Partially drive (4) Philips Head screws into the pre-drilled holes located towards the back of the table.
- Hook the cable tray key slots onto the screws and slide the tray to lock it in place. (Note: the open end of the cable tray should face the back of the table.)
- Tighten the (4) Philips Head screws to secure the cable tray.
- Use the additional provided cable management as needed.
- Cables must not interfere with table operation.
- Cables must not interfere with the user.



## STEP 2

Attach the handset using the included adhesive strip or using two M3 Phillips round head screws

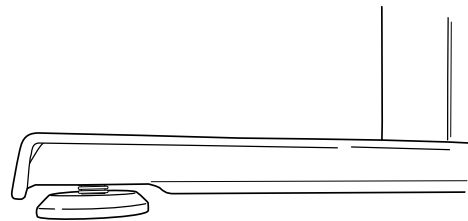
- Position the handset on the left or right side of the table, according to user preference.
- Mount the handset flush to the front edge of the table. If using M3 attachment method, ensure handset is lined up to pre-drilled holes on the desktop.
- Plug handset into controller on base.
- Plug power cable into controller on base and into an power outlet.



## STEP 3

Level Feet

- If table feels unbalanced adjust the (4) leveling pads located on bottom of feet.
- Turn clockwise to lower and counterclockwise to raise.



## OPERATING INSTRUCTIONS

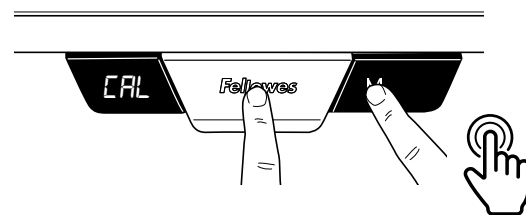
### INITIALISE THE SYSTEM

**WARNING:** Only light pressure required to operate handset. When lowering the table, apply light pressure to the center of the handset (Fellowes logo). Applying too much pressure, pulling or pushing on the lower part of the handset may cause damage to the unit.

**IMPORTANT:** The initialisation process below must be completed before operating the table. Throughout the initialisation operation, CAL is displayed and will remain until procedure is complete.

**CAUTION:** Ensure proper clearance. Make sure all objects are clear of the table

- Lightly touch the Fellowes logo and M buttons simultaneously for 10-15 seconds.
- The legs will begin to move down at half speed of normal operation.
- Continue to hold the buttons.
- The legs will move down to the lowest position, then rebound 2mm to 5mm (1/16" to 3/16") and stop. This can take between 10-45 seconds depending on the thickness of the table top.
- Release both buttons at the same time. This completes the initialisation procedure.
- If initialisation is started and not finished, the table will not operate. You must finish the initialisation process.



## GENERAL OPERATION

Move the table up or down by lightly holding your finger on the top or back of the handset until the work surface reaches the desired height.

The table will continue to move up or down until you release the button or until the maximum or minimum height is reached.

## MEMORY STOP POSITIONS

There are two groups of memory settings, each with two height settings. To toggle between the two users momentarily press the M button and display will read U1 or U2. Up to four memory stop positions can be used to save specific heights of the work surface. To set a specific position:

Raise or lower the table to the position you want to save.

Lightly touch the M button for two seconds, the LED display will blink. This means it has stored the location. To clear storage settings, lightly touch the M button for 8 seconds until CLR displays.

## CHANGING THE HEIGHT DISPLAY UNITS

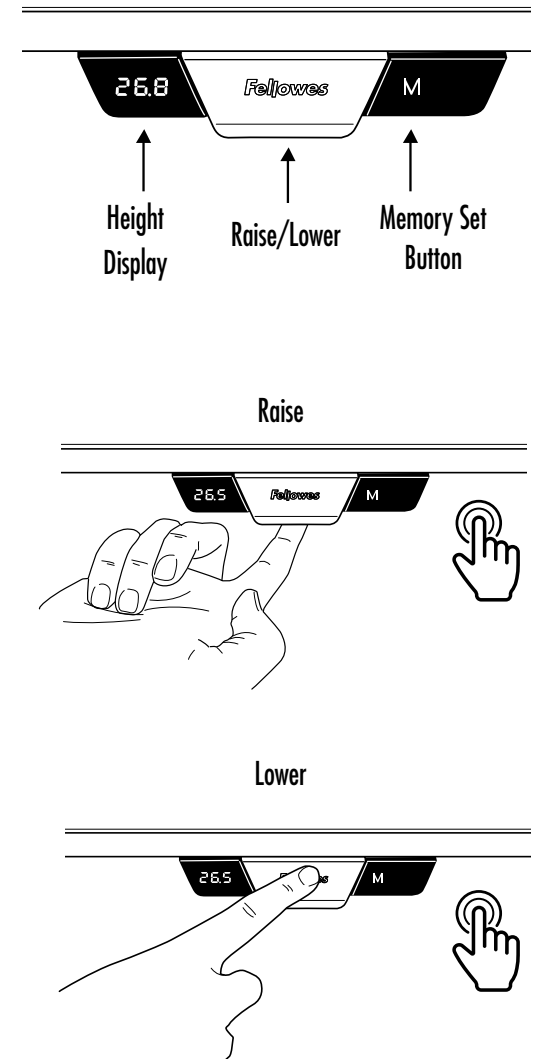
This function allows you to toggle the display units from inches to centimeters.

Lightly touch and hold up and down at same time for 10 seconds.

## RESET THE SYSTEM TO FACTORY SETTINGS

To reset the handset to factory settings follow the same instructions as 'Initialise the System'.

In case of error message or in the event of a power outage please reset the system.



## FELLOWES LEVADO™ HEIGHT ADJUSTABLE DESK BASE LIMITED WARRANTY

Fellowes, Inc. (the "Company") warrants the Levado™ Height Adjustable Desk Base ("Product") to be free from defects in material and workmanship for the time period as set forth below.

The structural frame for a period of fifteen (15) years from the date of original purchase of the product.

All electrical components for a period of seven (7) years from the date of original purchase of the product.

This warranty applies only to the initial purchaser and does not cover claims resulting from misuse, failure to follow instructions on installation and use, neglect, use of unauthorized attachments, commercial use, use on a current or voltage other than specified on the product, or unauthorized service during the warranty period on conditions otherwise covered by warranty.

THE DURATION OF ANY IMPLIED WARRANTIES, INCLUDING BUT NOT LIMITED TO ANY IMPLIED WARRANTIES OF MERCHANTABILITY OR FITNESS FOR A PARTICULAR PURPOSE, IS EXPRESSLY LIMITED TO THE DURATION OF THIS LIMITED WARRANTY.

UNLESS REQUIRED BY APPLICABLE LAW, THE CUSTOMER'S EXCLUSIVE REMEDY FOR BREACH OF THIS WARRANTY OR ANY IMPLIED WARRANTY OR OF ANY OTHER OBLIGATION ARISING BY OPERATION OF LAW OR OTHERWISE SHALL BE LIMITED AS SPECIFIED HEREIN TO REPAIR, REPLACEMENT OR A REFUND OF THE PURCHASE PRICE, AT THE COMPANY'S SOLE OPTION.

UNDER NO CIRCUMSTANCE WILL THE COMPANY, ITS AFFILIATES, SUBSIDIARIES, RELATED ENTITIES, RESELLERS OR THEIR RESPECTIVE OFFICERS, DIRECTORS OR EMPLOYEES OR THOSE PERSONS FOR WHOM THEY ARE BY LAW RESPONSIBLE, BE LIABLE FOR CONSEQUENTIAL OR INCIDENTAL DAMAGES SUSTAINED IN CONNECTION WITH THE PRODUCT. THE COMPANY AND THESE OTHER PARTIES DO NOT ASSUME OR AUTHORIZE ANY REPRESENTATIVE OR OTHER PERSON TO ASSUME FOR ANY OF THEM ANY OBLIGATION OR LIABILITY OTHER THAN AS IS EXPRESSLY SET FORTH HEREIN.

The duration, terms and conditions of this warranty are valid worldwide, except where different limitations, restrictions or conditions may be required by local law.

Australia Residents Only:

Our goods come with guarantees that cannot be excluded under the Australian Consumer Law. You are entitled to a replacement or refund for a major failure and for compensation for any other reasonably foreseeable loss or damage. You are also entitled to have the goods repaired or replaced if the goods fail to be of acceptable quality and the failure does not amount to a major failure. The benefits under Fellowes' Warranty are in addition to other rights and remedies under a law in relation to the product.



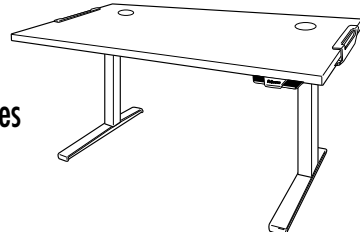
### CONSIGNES DE SÉCURITÉ/AVERTISSEMENT

#### AVERTISSEMENT : CONSIGNES DE SÉCURITÉ IMPORTANTES – Lire attentivement avant d'utiliser l'appareil !

- **ATTENTION** : Risque lors du levage ! Deux personnes sont nécessaires pour déplacer le bureau. Il existe un risque de blessure grave.
- **NE PAS DÉPASSER LA CAPACITÉ MAXIMALE DE POIDS INDICUÉE. CELA POURRAIT PROVOQUER UNE BLESSURE GRAVE OU ENDOMMAGER LE MATÉRIEL.**
- Ne pas utiliser la table si l'un de ses éléments est endommagé ou défectueux.
- Ne pas placer d'obstacles sur le passage du bureau.
- Ne pas placer sous le bureau d'objets mesurant plus de 610 mm (24 po).
- S'assurer qu'il existe un espace de dégagement suffisant de tous les côtés (au moins 25 mm (1 po)) entre le bureau, les murs et les objets voisins.
- Ne pas s'asseoir ni se tenir debout sur le bureau.
- Ne pas démonter les pieds, le boîtier de commande ou le contrôleur. Il existe un risque de blessure grave.
- Veiller à ce que tous les câbles soient suffisamment longs pour permettre tous les changements de hauteur et suivre les instructions d'acheminement des câbles figurant dans ce manuel. Le non-respect de ces instructions pourrait provoquer des dommages de l'équipement ou des blessures.
- Tenir les liquides à l'écart de tous les composants électriques. Nettoyer les composants électriques exclusivement avec un chiffon sec.
- Pour un usage intérieur uniquement.
- Tenir le câble d'alimentation à l'écart des sources de chaleur.
- Débrancher le bureau avant de le nettoyer ou de le réparer.
- Retirer tout l'équipement et les accessoires du bureau avant de le déplacer.
- Tenir les enfants à l'écart des pièces mobiles et du dessous du bureau.

Poids maximal, y compris le plateau de la table

≤ 100 kg  
≤ 220 livres

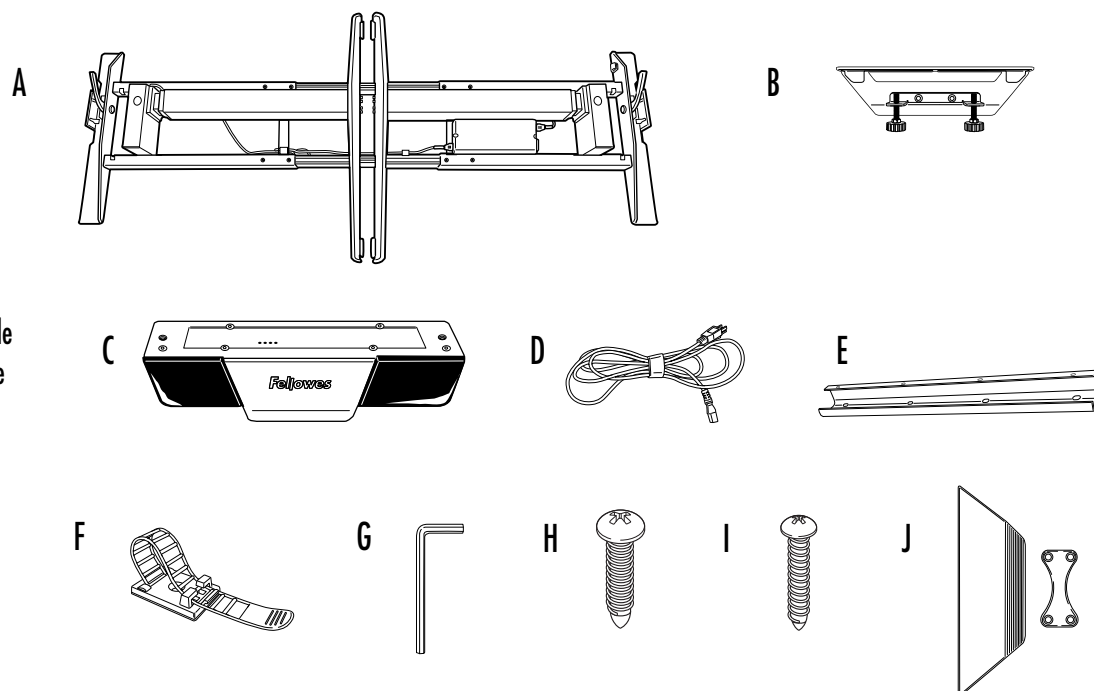


Convient aux plateaux avec les dimensions suivantes :

- Largeur : 1 187 à 1 816 mm
- Profondeur : 700 à 800 mm
- Épaisseur : 19 à 31,75 mm

### PIÈCES FOURNIES

- A 1 base
- B 2 attaches
- C 1 casque
- D 1 cordon d'alimentation
- E 1 plateau de câbles
- F 4 passe-câbles
- G 1 clé Allen de 5 mm
- H 14 vis cruciformes M6 à tête ronde
- I 2 vis cruciformes M3 à tête ronde
- J 2 caches d'attaches



#### Autres outils nécessaires

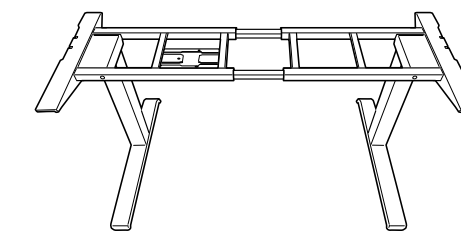
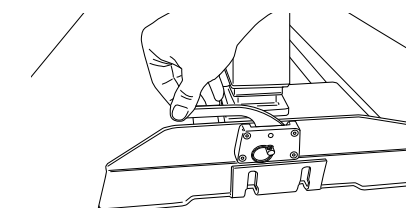
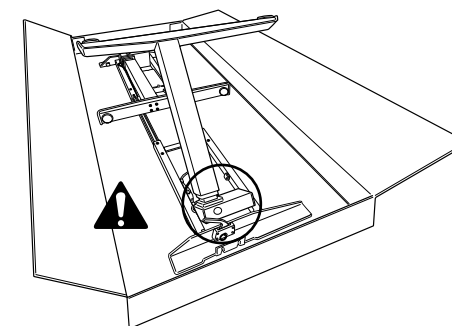
Tournevis cruciforme

### OPTION D'INSTALLATION 1 - ATTACHES

#### ÉTAPE 1

##### Déballage

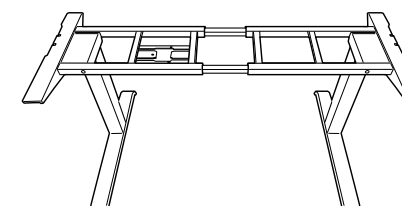
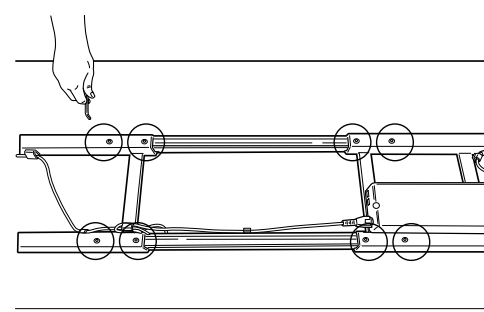
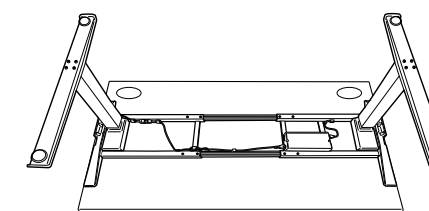
- Ouvrir le carton par le dessus.
- S'assurer que les leviers de la base sont en position verticale.
- Déployer les pieds jusqu'à ce qu'ils s'enclenchent. **AVERTISSEMENT** : Risque de pincement ! Tenir les mains et les objets à l'écart lors du déploiement des pieds.
- Verrouiller les pieds en place en poussant les leviers vers le bas.
- Facultatif : Si les pieds doivent être repliés, s'assurer que le levier est en position verticale et que l'alimentation est débranchée. Tirer la broche vers l'extérieur et guider soigneusement les pieds en position pliée.
- En utilisant deux personnes, placer la base en position verticale.
- La base est livrée ajustée pour des tables de 1 600 mm (63 po) de large. Si votre table ne mesure pas 1 600 mm (63 po) de large, vous devrez ajuster la largeur de la base entre 1 187 mm et 1 816 mm (47 à 71,5 po). Voir l'étape 1B, sinon passer à l'étape 2.



#### ÉTAPE 1B - Uniquement nécessaire si la table ne mesure pas 1 600 mm (63 po) de large

Ajuster les traverses à leur longueur finale

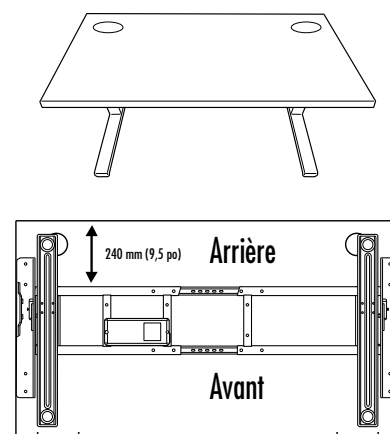
- En utilisant deux personnes, retourner la table sur une surface propre et douce et poser la base sur la table.
- Utiliser la clé Allen de 5 mm pour desserrer les (8) vis de fixation qui se trouvent sur le côté intérieur des traverses.
- Allonger ou contracter les traverses jusqu'à ce qu'elles arrivent au niveau des deux extrémités du bureau. Libérer les câbles si nécessaire pour permettre l'ajustement du cadre.
- Une fois le réglage terminé, utiliser la clé Allen de 5 mm pour resserrer les vis de fixation (8 en tout).
- En utilisant deux personnes, placer la base uniquement en position verticale.



## ÉTAPE 2

Régler la position du cadre avant de le fixer à la table

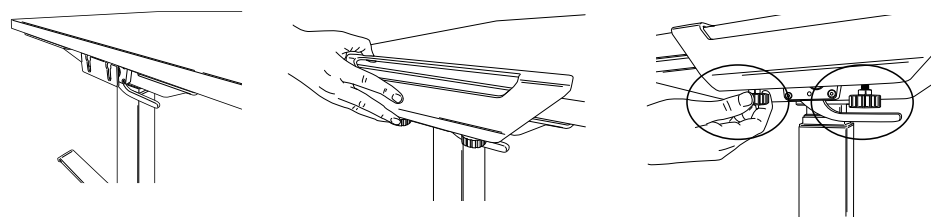
- En utilisant deux personnes, placer le plateau de la table sur la base.
- Vérifier que les supports placés de part et d'autre du plateau de la table affleurent à chaque extrémité du bureau et les aligner sur les orifices prépercés sur le plateau.
- La traverse arrière mesure 240 mm (9,5 po) pour 800 mm (31,5 po) de profondeur depuis l'arrière de la table.



## ÉTAPE 3

Serrer la base sur la table

- Faire glisser les attaches de part et d'autre de la table.
- Sur chaque attache, serrer les deux (2) vis papillon jusqu'à ce qu'elles s'enclenchent.

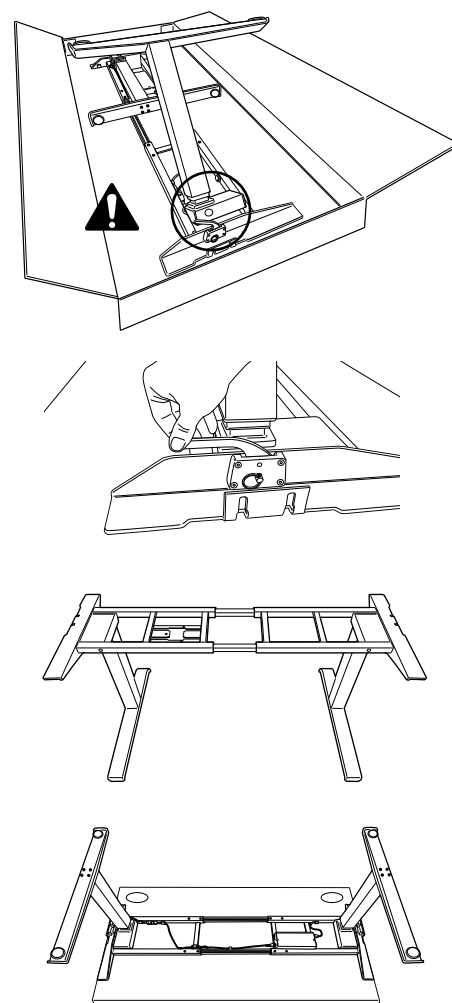


## OPTION D'INSTALLATION 2 - QUINCAILLERIE

### ÉTAPE 1

Préparation de l'installation en utilisant deux personnes

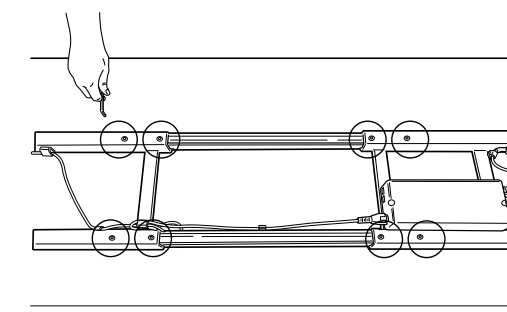
- Retourner la table sur une surface douce et propre.
- S'assurer que les leviers de la base sont en position verticale.
- Déployer les pieds jusqu'à ce qu'ils s'enclenchent. **AVERTISSEMENT :** Risque de pincement ! Tenir les mains et les objets à l'écart lors du déploiement des pieds.
- Verrouiller les pieds en place en poussant les leviers vers le bas.
- Facultatif : Si les pieds doivent être repliés, s'assurer que le levier est en position verticale et que l'alimentation est débranchée. Tirer la broche vers l'extérieur et guider soigneusement les pieds en position pliée.
- Sortir la base de l'emballage et la poser sur la table.
- La base est livrée ajustée pour des tables de 1 600 mm (63 po) de large. Si votre table ne mesure pas 1 600 mm (63 po) de large, vous devrez ajuster la largeur de la base entre 1 187 mm et 1 816 mm (47 à 71,5 po). Voir l'étape 1B, sinon passer à l'étape 2.



## ÉTAPE 1B - Uniquement nécessaire si la table ne mesure pas 1 600 mm (63 po) de large

Ajuster les traverses à leur longueur finale

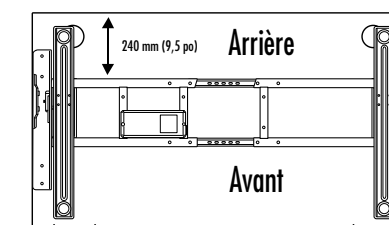
- Utiliser la clé Allen de 5 mm pour desserrer les (8) vis de fixation qui se trouvent sur le côté intérieur des traverses.
- Allonger ou contracter les traverses jusqu'à ce qu'elles arrivent au niveau des deux extrémités du bureau. Libérer les câbles si nécessaire pour permettre l'ajustement du cadre.
- Assurer l'alignement correct avec les orifices prépercés sur le plateau du bureau.
- Une fois le réglage terminé, utiliser la clé Allen de 5 mm pour resserrer les vis de fixation (8 en tout).



## ÉTAPE 2

Régler la position du cadre avant de le fixer à la table.

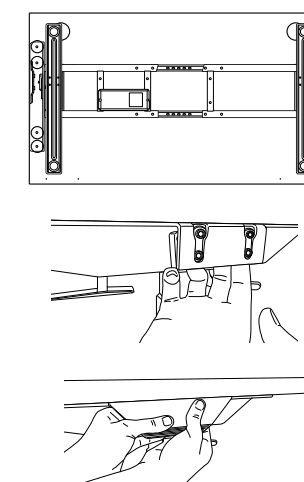
- Vérifier que les supports placés de part et d'autre affleurent à chaque extrémité du bureau et les aligner sur les orifices prépercés sur le plateau.
- La traverse arrière mesure 240 mm (9,5 po) pour 800 mm (31,5 po) de profondeur depuis l'arrière de la table.



## ÉTAPE 3

Attacher la base à la table

- Utiliser les vis cruciformes M6 à tête ronde (8 requises en tout) et un tournevis cruciforme.
- Les vis s'insèrent dans les guides situés en haut des supports. Assurer l'alignement correct avec les orifices prépercés sur le plateau du bureau.
- En utilisant deux personnes, placer la base et la table en position verticale.
- Fixer les caches des attaches de chaque côté. Commencer par placer la petite pièce à l'intérieur du support de l'attache. Aligner la plus grosse pièce et presser pour fixer en place.

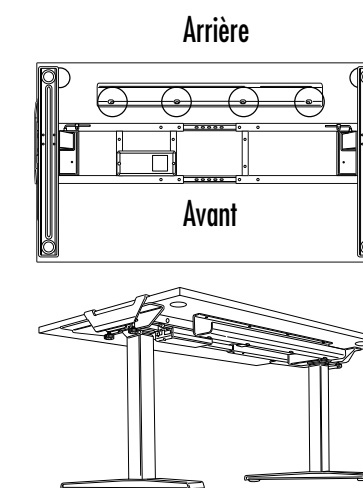


## INSTALLATION DES ACCESSOIRES

### ÉTAPE 1

Passe-câbles

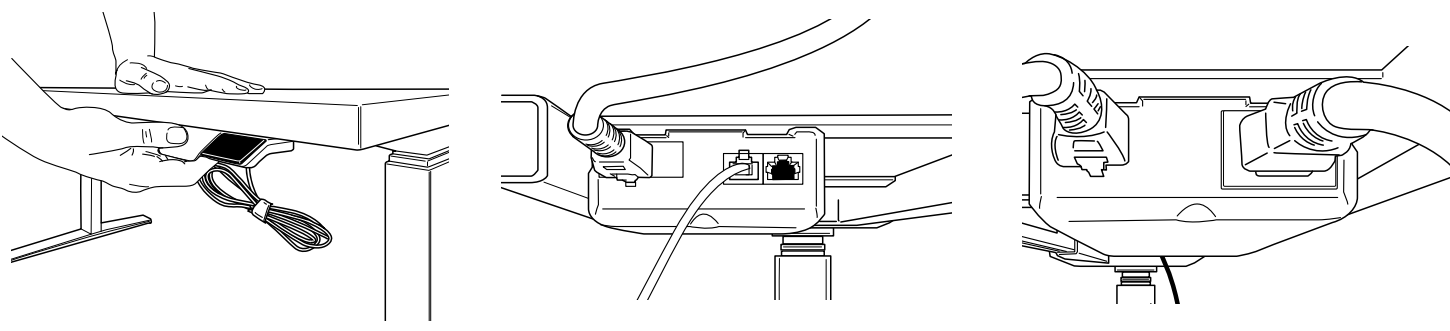
- Visser partiellement (4) vis cruciformes dans les trous pré-percés situés vers l'arrière de la table.
- Accrocher les fentes de clé du plateau de chemin de câbles aux vis et faire glisser le plateau pour le verrouiller en place. (Remarque : l'extrémité ouverte du chemin de câbles doit faire face à l'arrière de la table.)
- Serrer les (4) vis cruciformes pour fixer le chemin de câbles.
- Utiliser le passe-câble supplémentaire fourni, si nécessaire.
- Les câbles ne doivent pas perturber le fonctionnement de la table.
- Les câbles ne doivent pas gêner l'utilisateur.



## ÉTAPE 2

Fixer la commande à l'aide de la bande adhésive fournie ou de deux vis cruciformes M3 à tête ronde.

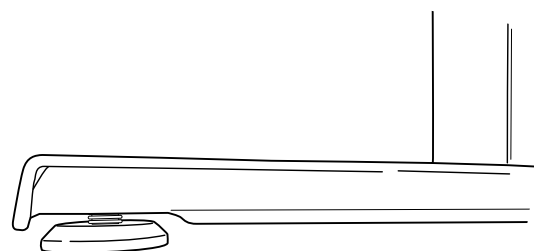
- Positionner la commande sur le côté gauche ou droit de la table, selon les préférences de l'utilisateur.
- Monter la commande au niveau du bord avant de la table. En cas de fixation avec des vis M3, s'assurer que la commande est alignée sur les orifices prépercés dans le bureau.
- Brancher la commande sur le contrôleur placé sur la base.
- Raccorder le cordon d'alimentation au contrôleur sur la base et à une prise murale.



## ÉTAPE 3

Égaliser la longueur des pieds

- Si la table semble bancal, ajuster les (4) patins de mise à niveau situés sous les pieds
- Tourner dans le sens des aiguilles d'une montre pour abaisser et dans le sens inverse des aiguilles d'une montre pour relever



## MODE D'EMPLOI

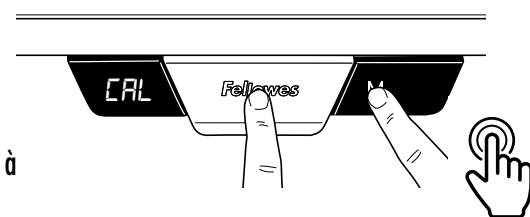
### INITIALISER LE SYSTÈME

**AVERTISSEMENT** : une pression légère suffit pour utiliser le combiné. Lorsque vous abaissez la table, appliquer une pression légère au centre du combiné (logo Fellowes). Une pression, une traction ou une poussée excessive sur la partie inférieure du combiné peut endommager l'appareil.

**IMPORTANT** : la procédure d'initialisation ci-dessous doit être terminée avant la mise en marche de la table. La mention « CAL » restera affichée tout au long de l'opération d'initialisation, jusqu'à ce que la procédure soit terminée.

**ATTENTION** : Vérifier qu'il existe un espace de dégagement suffisant sur tous les côtés. S'assurer que tous les objets sont à l'écart de la table

- Appuyer simultanément et délicatement sur le logo Fellowes et les boutons M pendant 10 à secondes.
- Les pieds commenceront à se déplacer à une vitesse correspondant à la moitié de la vitesse normale en fonctionnement.
- Maintenir la pression sur les boutons.
- Les pieds s'abaisseront jusqu'à la position la plus basse, puis rebondiront de 2 à 5 mm (1/16 à 3/16 de po) avant de s'immobiliser. Cette opération peut prendre entre 10 et 45 secondes selon l'épaisseur du plateau de la table.
- Relâcher les deux boutons en même temps. Ceci termine la procédure d'initialisation.
- Si l'initialisation est débutée, mais pas terminée, la table ne fonctionnera pas. Vous devez terminer la procédure d'initialisation.



## FONCTIONNEMENT GÉNÉRAL

Déplacer la table vers le haut ou vers le bas en maintenant légèrement votre doigt sur le dessus ou au dos du combiné jusqu'à ce que la surface de travail atteigne la hauteur désirée.

La table continuera à monter ou à descendre jusqu'à ce que vous relâchiez le bouton ou que la hauteur maximale ou minimale soit atteinte.

### POSITIONS D'ARRÊT MÉMORISÉES

Il existe deux groupes de réglages de mémoire, chacun disposant de deux réglages de hauteur. Pour basculer momentanément entre deux utilisateurs, appuyer sur le bouton M et l'affichage indiquera U1 ou U2. Il est possible de mémoriser jusqu'à quatre positions d'arrêt pour enregistrer la hauteur de la surface de travail. Pour régler une position spécifique :

Relever ou abaisser la table jusqu'à la position à enregistrer.

Appuyer et maintenir enfoncé légèrement le bouton M pendant deux secondes. L'écran LED se mettra à clignoter. Cela signifie que la position est enregistrée. Pour effacer les paramètres enregistrés, appuyer légèrement sur le bouton M pendant 8 secondes jusqu'à ce que la mention « CLR » apparaisse.

### MODIFICATION DES UNITÉS D'AFFICHAGE DE LA HAUTEUR

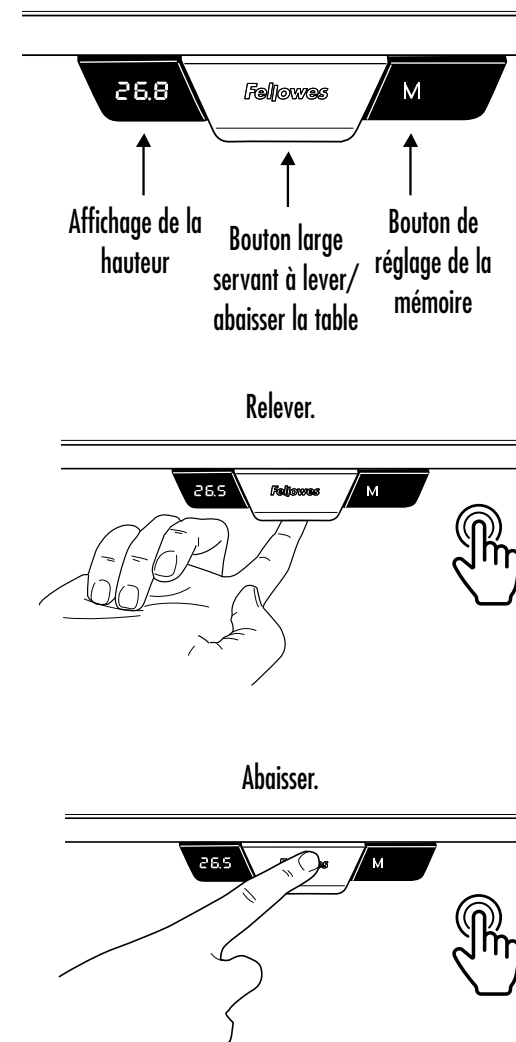
Cette fonction permet de basculer entre un affichage en pouces et en centimètres.

Appuyer et maintenir enfoncés légèrement les boutons haut et bas en même temps pendant 10 secondes.

### RÉINITIALISER LE SYSTÈME AUX PARAMÈTRES D'USINE

Pour réinitialiser le combiné aux paramètres d'usine, suivre les mêmes instructions que celles de la rubrique « Initialiser le système ».

En cas de message d'erreur ou de panne de courant, veuillez réinitialiser le système.



## GARANTIE LIMITÉE DE LA BASE DE BUREAU RÉGLABLE EN HAUTEUR FELLOWES LEVADO™

Fellowes, Inc. (la « Société ») atteste que la Base de bureau réglable en hauteur Levado™ (le « Produit ») ne présentera aucun défaut matériel ou de conception sur la période indiquée ci-dessous.

Le cadre de la structure pour une période de quinze (15) ans à compter de la date d'achat initial du produit.

Tous les composants électriques pour une période de sept (7) ans à compter de la date d'achat initiale du produit.

Cette garantie s'applique uniquement à l'acheteur initial et ne couvre aucun dommage né d'une mauvaise utilisation, d'un non-respect des instructions d'installation et d'utilisation, d'une négligence, de l'utilisation d'accessoires non autorisés, d'une utilisation commerciale, d'une utilisation sur un courant ou une tension différent(e) de celui/celle indiqué(e) sur le produit ou d'une maintenance non autorisée pendant la période de garantie, pour des éléments normalement couverts par la garantie.

LA DURÉE DE TOUTE GARANTIE IMPLICITE, Y COMPRIS MAIS SANS S'Y LIMITER, TOUTE GARANTIE IMPLICITE DE QUALITÉ MARCHANDE OU D'ADAPTATION À DES FINS SPÉCIFIQUES, EST LIMITÉE EXPRESSÉMENT À LA DURÉE DE CETTE GARANTIE LIMITÉE.

SAUF MENTION CONTRAIRE PAR LES LOIS EN VIGUEUR, L'UNIQUE RECOURS DONT DISPOSE LE CLIENT POUR TOUTE VIOLATION DE CETTE GARANTIE OU DE TOUTE GARANTIE IMPLICITE OU DE TOUTE OBLIGATION DÉCOULANT DE LA LOI OU AUTRE SERA LIMITÉ TEL QUE PRÉCISÉ DANS LA PRÉSENTE À LA RÉPARATION, LE REMPLACEMENT OU LE REMBOURSEMENT DU PRIX D'ACHAT, À LA DISCRÉTION DE LA SOCIÉTÉ.

EN AUCUN CAS, LA SOCIÉTÉ, SES FILIALES, SOCIÉTÉS AFFILIÉES, ENTITÉS ASSOCIÉES, REVENEURS OU LEURS AGENTS, DIRECTEURS OU EMPLOYÉS RESPECTIFS OU CES PERSONNES DONT ILS SONT RESPONSABLES SELON LA LOI, NE SERONT RESPONSABLES DES DOMMAGES DIRECTS OU INDIRECTS RÉSULTANT DE L'UTILISATION DU PRODUIT. LA SOCIÉTÉ ET CES AUTRES PARTIES N'ASSUMENT ET N'AUTORISENT AUCUN REPRÉSENTANT OU AUTRE PERSONNE À ASSUMER POUR AUCUN D'ENTRE EUX D'OBLIGATION OU DE RESPONSABILITÉ AUTRE QUE CELLES QUE PRÉVOIT LA PRÉSENTE.

La durée, les conditions générales et les conditions de cette garantie sont valables dans le monde entier, excepté en cas de limites, de restrictions ou de conditions exigibles par les lois locales.

Résidents d'Australie uniquement :

Nos produits sont fournis avec des garanties qui ne peuvent pas être exclues dans le cadre de la loi de protection des consommateurs australiens (Australian Consumer Law). Vous pouvez obtenir un remplacement ou un remboursement en cas de défaillance majeure et en compensation de tout autre dommage ou perte raisonnablement prévisible. Vous pouvez également obtenir la réparation ou le remplacement si la qualité de l'appareil n'est pas jugée acceptable et le défaut ne constitue pas une défaillance majeure. Les avantages de la garantie Fellowes s'ajoutent aux autres droits et recours légaux en rapport avec le produit.

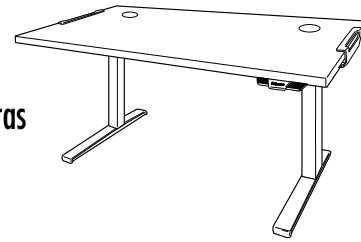
**INSTRUCCIONES DE SEGURIDAD/ADVERTENCIAS**

**ADVERTENCIA: INSTRUCCIONES DE SEGURIDAD IMPORTANTES: ¡Lea todas las instrucciones antes del uso!**

- **PRECAUCIÓN:** Riesgo de levantamiento de carga. Se necesitan dos personas para mover el escritorio. Se pueden producir lesiones graves.
- **NO SUPERE LA CAPACIDAD DE PESO MÁXIMO INDICADA. SE PUEDEN PRODUCIR DAÑOS MATERIALES O LESIONES GRAVES.**
- No utilice la mesa si tiene alguna pieza dañada o defectuosa.
- No ponga obstáculos en el recorrido del escritorio.
- No ponga debajo del escritorio objetos más altos de 610 mm (24 pulgadas).
- Asegúrese de que el escritorio tiene suficiente espacio despejado por todos los lados (al menos 25 mm (una pulgada) respecto a todas las paredes y objetos que lo rodean.
- No se siente ni se ponga de pie sobre el escritorio.
- No desmonte las patas, la caja de control ni la controladora. Se pueden producir lesiones graves.
- Asegúrese de que todos los cables tengan suficiente longitud como para soportar los cambios de altura y siga las instrucciones de este manual a la hora de realizar el trazado. El incumplimiento de estas instrucciones puede dar lugar a daños materiales o personales.
- Mantenga los componentes eléctricos lejos de cualquier líquido. Limpie los componentes eléctricos únicamente con un paño seco.
- Solo para uso en interiores.
- Mantenga el cable de alimentación lejos de fuentes de calor.
- Desconecte el escritorio antes de moverlo o realizar tareas de mantenimiento.
- Retire el equipamiento y los accesorios del escritorio antes de moverlo.
- Mantenga a los niños fuera del alcance de las piezas móviles y de debajo del escritorio.

**Peso máximo incluido el tablero de la mesa**

≤ 100 kg  
≤ 220 libras

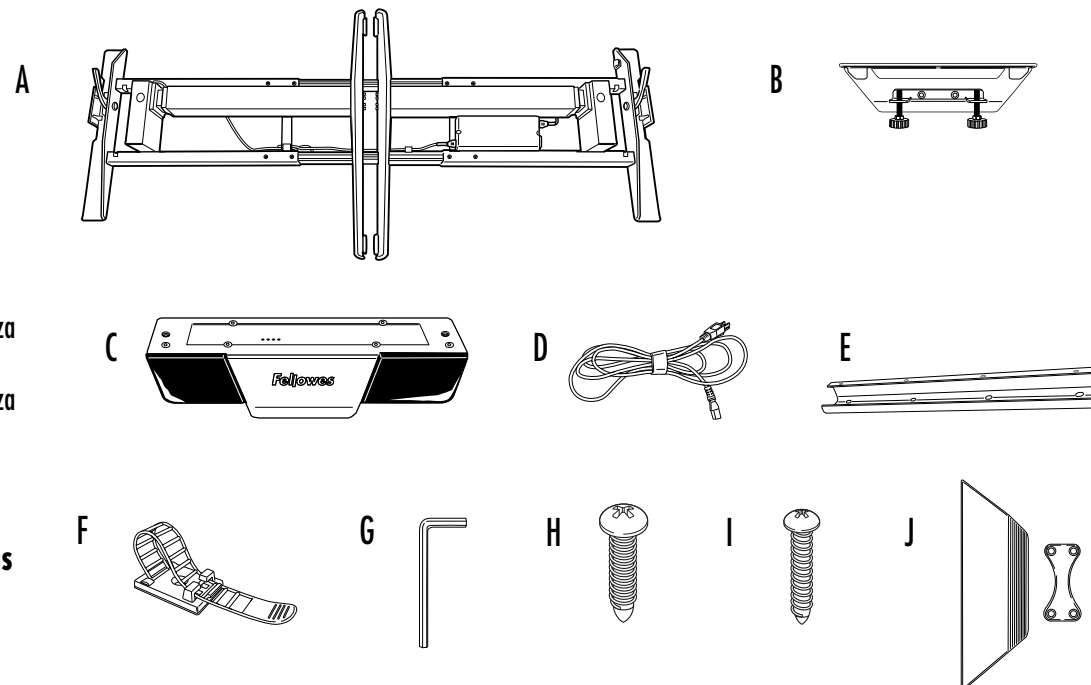


Adaptable a tableros de mesa de las siguientes dimensiones:

- Anchura: 1187 - 1816 mm
- Profundidad: 700 - 800 mm
- Grosor: 19 - 31,75 mm

**PIEZAS SUMINISTRADAS**

- A Base x1
- B Abrazadera x2
- C Terminal x1
- D Cable eléctrico x1
- E Bandeja portacables x1
- F Administración de cableado x4
- G Llave Allen de 5 mm x1
- H Tornillo M6 Phillips de cabeza redonda x14
- I Tornillo M3 Phillips de cabeza redonda x2
- J Cubierta de abrazadera x2



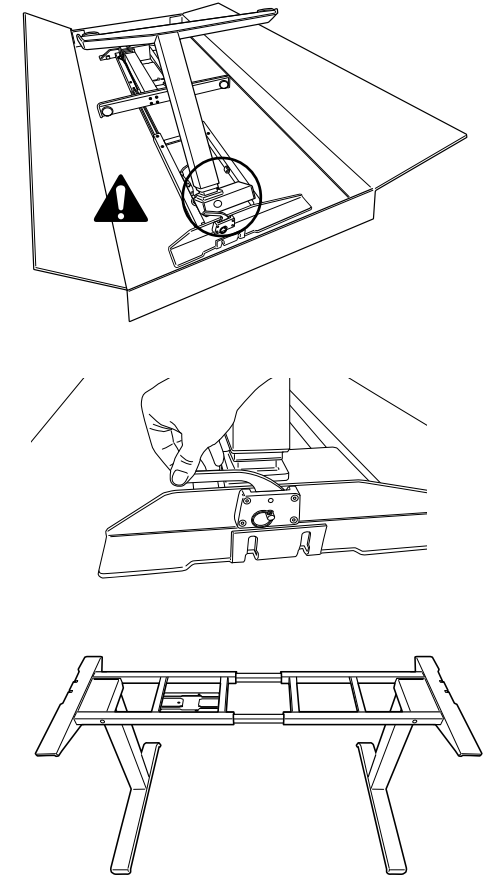
**Otras herramientas requeridas**  
Destornillador Phillips

**OPCIÓN DE INSTALACIÓN 1 - ABRAZADERAS**

**PASO 1**

Desembalaje

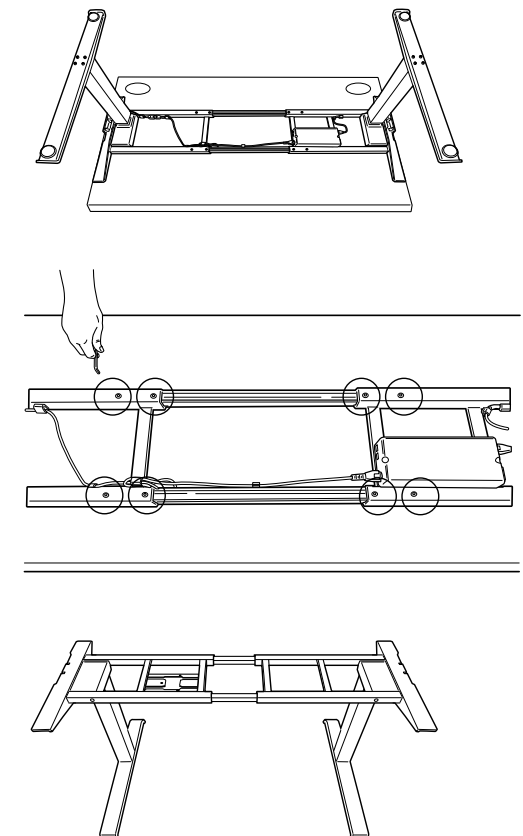
- Abra la caja por la parte superior.
- Asegúrese de que las palancas de la base estén levantadas.
- Doble las patas hasta que se oiga un "clic". **ADVERTENCIA: ¡PUNTO DE ENGANCHE!** Mantenga las manos y objetos apartados cuando levante las patas.
- Bloquee las patas en su sitio empujando las palancas hacia abajo.
- Opcional: Si necesita doblar las patas, asegúrese de que la palanca esté levantada y de que la electricidad esté desconectada. Saque el pasador y guíe cuidadosamente las patas a la posición doblada.
- Entre dos personas, den la vuelta a la base para girarla hacia arriba.
- La base llega ajustada para mesas de 1600 mm (63 pulgadas) de ancho. Si su mesa no mide 1600 mm (63 pulgadas), necesitará ajustar el ancho de la base entre 1187 mm y 1816 mm (de 47 a 71,5 pulgadas). Consulte el paso 1B; en caso contrario continúe al paso 2.



**PASO 1B - Solo necesario si la mesa no mide 1600 mm (63 pulgadas) de ancho**

Ajuste las canaletas transversales a sus longitudes finales

- Entre dos personas, pongan el tablero del escritorio boca abajo en una superficie suave y limpia y pongan la base sobre el tablero.
- Utilice la llave Allen de 5 mm para aflojar los 8 tornillos de la parte interior de las canaletas transversales.
- Expanda o contraiga las canaletas transversales hasta que coincidan con ambos extremos del escritorio. Libere los cables lo necesario para poder ajustar el marco.
- Una vez ajustado adecuadamente, utilice la llave Allen de 5 mm para volver a apretar los tornillos (8 en total).
- Entre dos personas, den la vuelta solamente a la base para que la parte superior quede hacia arriba.

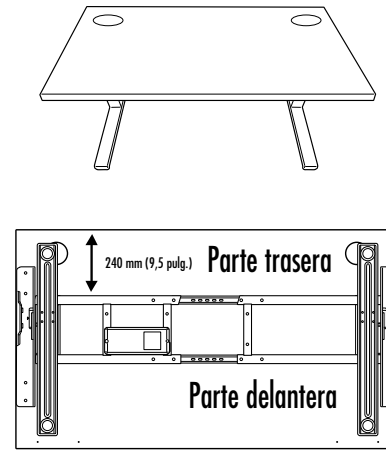




## PASO 2

Ajuste la posición del marco antes de fijarlo al tablero

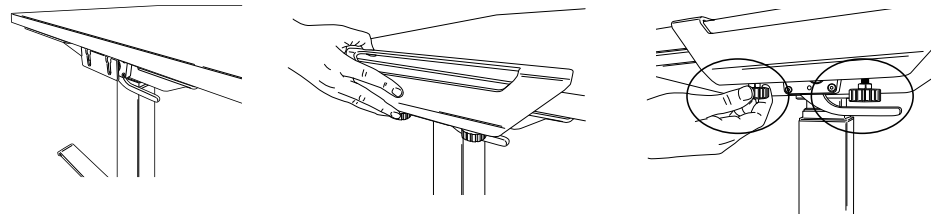
- Entre dos personas, pongan el tablero del escritorio sobre la base.
- Compruebe que los soportes de cada lado del tablero coinciden con los extremos del escritorio y alinéelos con los agujeros pretaladrados de este.
- El canal de cruce trasero estará a 240 mm (9,5 pulgadas) para tableros de 800 mm (31,5 pulgadas) de profundidad desde la parte trasera de la mesa.



## PASO 3

Sujeción de la base al tablero

- Deslice las abrazaderas en ambos lados de la mesa.
- En cada abrazadera, apriete las (2) roscas hasta que oiga un "clic".

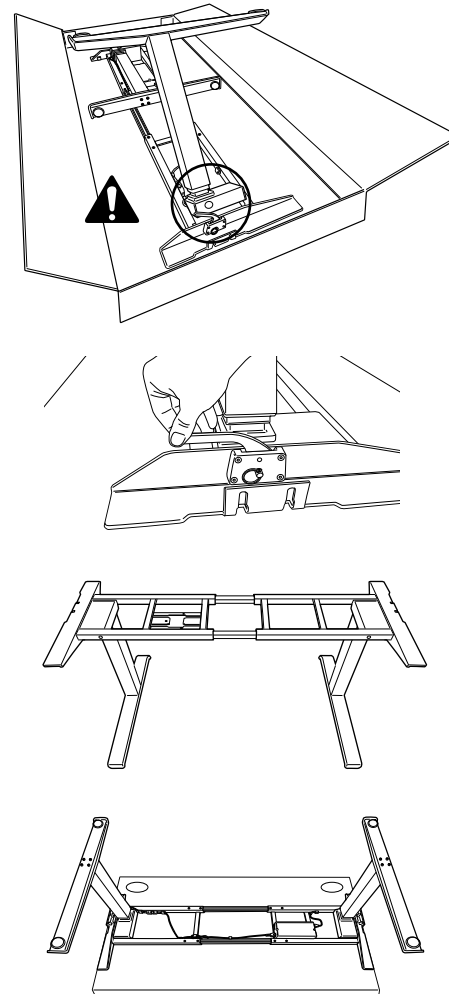


## OPCIÓN DE INSTALACIÓN 2 - TORNILLOS

### PASO 1

Preparación para la instalación entre dos personas

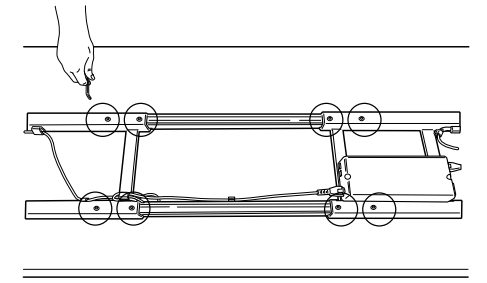
- Ponga el tablero del escritorio boca abajo en una superficie suave y limpia.
- Asegúrese de que las palancas de la base estén levantadas.
- Doble las patas hasta que produzcan un "clic". **⚠ ADVERTENCIA: ¡PUNTO DE ENGANCHE!** Mantenga las manos y objetos apartados cuando levante las patas.
- Bloquee las patas en su sitio empujando las palancas hacia abajo.
- Opcional: Si necesita doblar las patas, asegúrese de que la palanca esté en posición levantada y de que la electricidad esté desconectada. Saque el pasador y guíe cuidadosamente las patas a la posición doblada.
- Saque la base fuera de la caja y póngala sobre la mesa.
- La base llega ajustada para mesas de 1600 mm (63 pulgadas) de ancho. Si su mesa no mide 1600 mm (63 pulgadas), necesitará ajustar el ancho de la base entre 1187 mm y 1816 mm (de 47 a 71,5 pulgadas). Consulte el paso 1B; en caso contrario continúe al paso 2.



## PASO 1B - Solo necesario si la mesa no mide 1600 mm (63 pulgadas) de ancho

Ajuste las canaletas transversales a sus longitudes finales

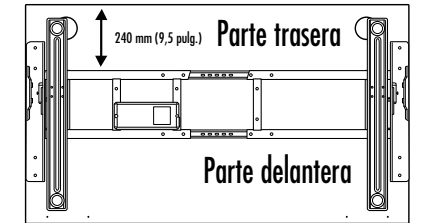
- Utilice la llave Allen de 5 mm para aflojar los 8 tornillos de la parte interior de las canaletas transversales.
- Expanda o contraiga las canaletas transversales hasta que coincidan con ambos extremos del escritorio. Libere los cables lo necesario para poder ajustar el marco.
- Asegúrese de la correcta alineación con los agujeros pretaladrados del escritorio.
- Una vez ajustado adecuadamente, utilice la llave Allen de 5 mm para volver a apretar los tornillos (8 en total).



## PASO 2

Ajuste la posición del marco antes de fijarlo al tablero.

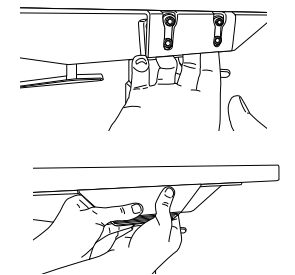
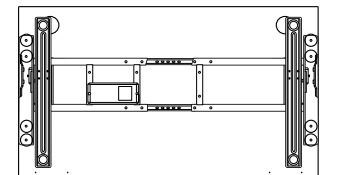
- Compruebe que los soportes de cada lado del tablero coincidan con los extremos del escritorio y alinéelos con los agujeros pretaladrados de éste.
- El canal de cruce trasero estará a 240 mm (9,5 pulgadas) para tableros de 800 mm (31,5 pulgadas) de profundidad desde la parte trasera de la mesa.



## PASO 3

Fije la base a la mesa

- Utilice los tornillos M6 Phillips de cabeza redonda (se necesitan 8 en total) y un destornillador Phillips.
- Los tornillos encajan a través de guías en la parte superior de los soportes. Asegúrese de la correcta alineación con los agujeros pretaladrados del escritorio.
- Entre dos personas, den la vuelta a la base y la tabla para que la parte superior quede hacia arriba.
- Fije las cubiertas de las abrazaderas a ambos lados. Empiece poniendo la pieza más pequeña dentro del soporte de la abrazadera. Alinee la pieza mayor y aplique presión para asegurarla.

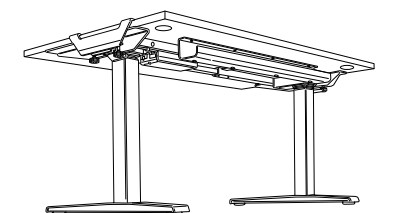
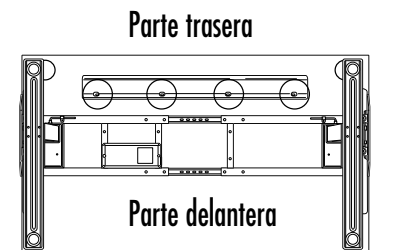


## INSTALACIÓN DE ACCESORIOS

### PASO 1

Administración de cableado

- Enrosque parcialmente (4) tornillos de cabeza Phillips en los orificios pretaladrados ubicados hacia la parte posterior de la mesa.
- Enganche las ranuras de la bandeja de cables a los tornillos y deslice la bandeja para asegurar su posición. (Nota: el extremo abierto de la bandeja de cables debe mirar hacia la parte posterior de la mesa).
- Enrosque los (4) tornillos de cabeza Phillips para asegurar la bandeja de los cables.
- Utilice la guía de cables adicional suministrada según sea necesario.
- Los cables no deben interferir con el funcionamiento de la mesa.
- Los cables no deben interferir con el usuario.

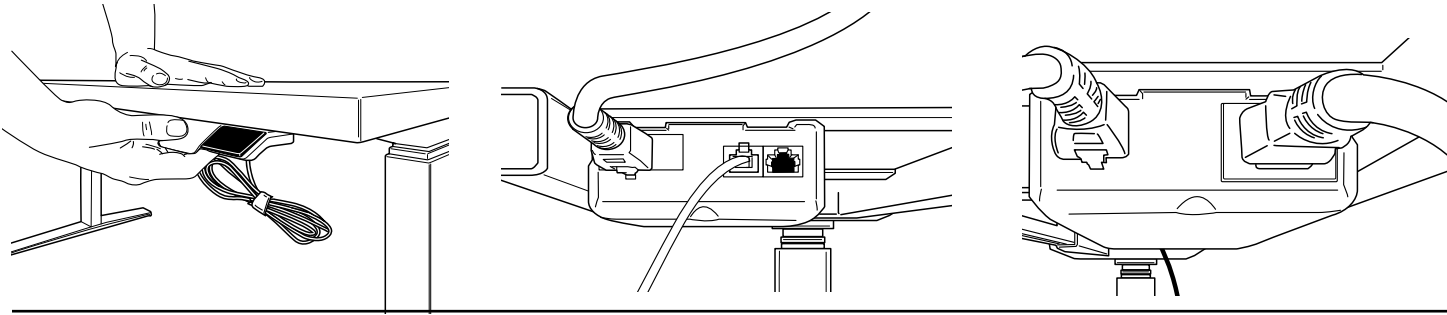




## PASO 2

Sujete el terminal mediante la tira adhesiva que se incluye, o bien utilizando dos tornillos M3 Phillips de cabeza redonda.

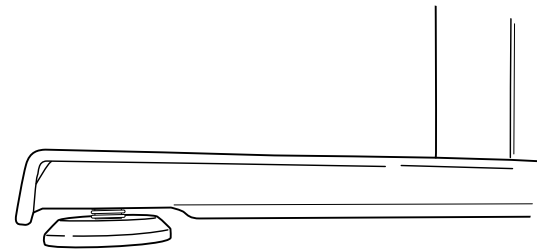
- Coloque el terminal en el lado izquierdo o derecho de la mesa, según prefiera.
- Monte el soporte del terminal en el borde frontal de la mesa. Si utiliza los tornillos M3, asegúrese de que el terminal esté alineado con los agujeros pretaladrados del escritorio.
- Conecte el terminal en el controlador de la base.
- Conecte el cable eléctrico al controlador de la base y a una toma de corriente.



## PASO 3

Nivele las patas

- Si la mesa no está equilibrada, ajuste los 4 topes de nivelado que se encuentran debajo de las patas
- Gírelos en el sentido de las agujas del reloj para bajarlos, y en sentido contrario a las agujas del reloj para subirlos



## INSTRUCCIONES DE FUNCIONAMIENTO

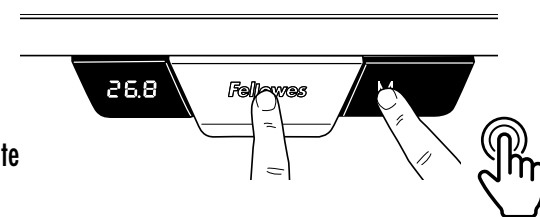
### INICIALICE EL SISTEMA

**ADVERTENCIA:** solo hace falta un poco de presión para hacer funcionar el dispositivo. Para bajar la mesa aplique una ligera presión en el dispositivo donde aparece el logotipo de Fellowes. Aplicar demasiada presión, tirar o empujar la parte inferior del dispositivo puede dañar la unidad.

**IMPORTANTE:** debe completarse el proceso de puesta en marcha antes de utilizar la mesa. Durante la operación de puesta en marcha aparecerán las letras CAL y permanecerán hasta que se complete el procedimiento.

**PRECAUCIÓN:** Compruebe que hay suficiente espacio despejado. Asegúrese de que no haya objetos demasiado cerca de la mesa.

- Pulse ligeramente el logotipo de Fellowes y el botón M simultáneamente durante 10-15 segundos.
- Las patas empezarán a moverse hacia abajo a la mitad de su velocidad normal de trabajo.
- Continúe manteniendo los botones pulsados.
- Las patas llegarán hasta su posición más baja y a continuación retrocederán entre 2 y 5 mm (de 1/16 a 3/16 de pulgada) y se detendrán. Esto puede tardar entre 10 y 45 segundos, en función del grosor de la superficie de la mesa.
- Libere ambos botones al mismo tiempo. Esto completa el procedimiento de inicialización.
- Si la inicialización empieza, pero no se termina, la mesa no funcionará. Debe finalizar el proceso de inicialización.



## FUNCIONAMIENTO GENERAL

Mueva la mesa hacia arriba o hacia abajo manteniendo ligeramente el dedo en la parte superior o trasera del dispositivo hasta que la superficie de trabajo alcance la altura deseada.

La mesa continuará moviéndose arriba o abajo hasta que libere el botón o hasta que se alcance la altura máxima o mínima.

### MEMORIZACIÓN DE POSICIONES DE PARADA

Hay dos grupos de configuraciones de memoria, cada uno con dos posiciones de altura. Para conmutar entre los dos usuarios, pulse el botón M y en la pantalla aparecerá U1 o U2. Se pueden almacenar hasta cuatro posiciones de parada para guardar alturas determinadas de la superficie de trabajo. Para definir una posición específica:

Suba o baje la mesa hasta la posición que desea guardar.

Pulse ligeramente el botón M durante dos segundos; la pantalla LED parpadeará. Eso indica que ha guardado la posición. Para borrar los ajustes, pulse suavemente el botón M durante 8 segundos hasta que en la pantalla aparezca CLR.

### CAMBIO DE LAS UNIDADES DE ALTURA DE LA PANTALLA

Esta función le permite cambiar las unidades entre pulgadas y centímetros.

Presione ligeramente y mantenga pulsados los botones de hacia arriba y hacia abajo al mismo tiempo durante 10 segundos.

### RESTABLECIMIENTO DEL SISTEMA A LOS AJUSTES DE FÁBRICA

Para restablecer el dispositivo a sus ajustes originales, siga las mismas instrucciones que se indican en «Inicialice el sistema».

Reinicie el sistema en caso de aparecer un mensaje de error o en caso de apagón.

## GARANTÍA LIMITADA DE LA BASE DE ESCRITORIO AJUSTABLE EN ALTURA LEVADO™ DE FELLOWES

Fellowes, Inc. (la "Compañía") garantiza que la Base de escritorio ajustable Levado™ ("Producto") no presenta defectos en materiales ni en la mano de obra durante el periodo de tiempo estipulado a continuación.

- El marco estructural, durante un periodo de quince (15) años a partir de la fecha de compra original del producto.
- Todos los componentes eléctricos, durante un periodo de siete (7) años a partir de la fecha de compra original del producto.

Esta garantía solo se aplica al primer comprador al por menor y no cubre reclamaciones debidas al mal uso, al incumplimiento de las instrucciones sobre instalación o uso, negligencia, uso de accesorios no permitidos, uso comercial, uso en un voltaje o una corriente distintos a los especificados en el producto, o reparación no autorizada durante el periodo de garantía en condiciones distintas a las cubiertas por garantía.

LA DURACIÓN DE TODA GARANTÍA IMPLÍCITA, LO QUE INCLUYE, PERO SIN LIMITACIÓN, CUALQUIER GARANTÍA IMPLÍCITA DE COMERCIABILIDAD O IDONEIDAD PARA UN FIN PARTICULAR, QUEDA EXPRESAMENTE LIMITADA A LA DURACIÓN DE ESTA GARANTÍA LIMITADA.

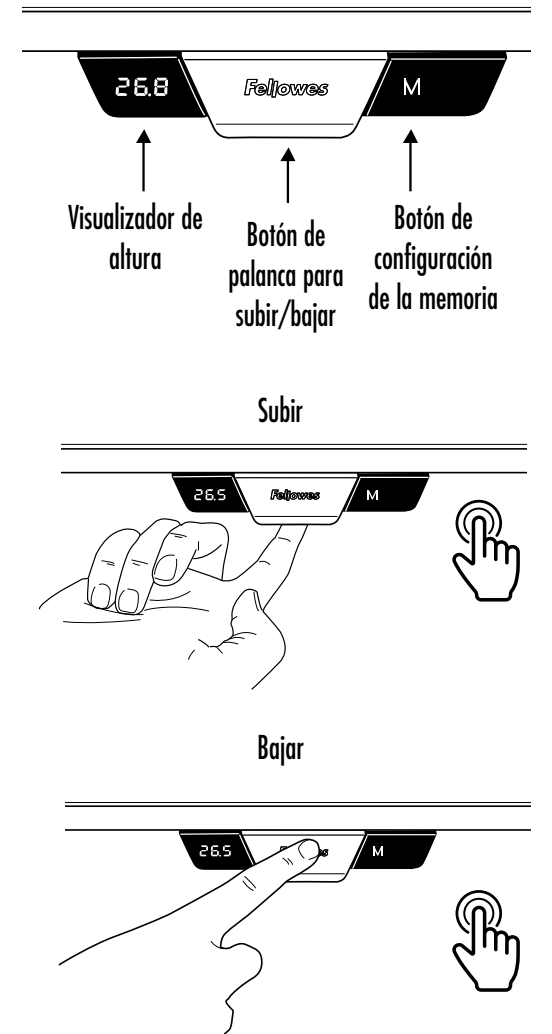
A MENOS QUE LO EXIJA LA LEGISLACIÓN APLICABLE, LA ÚNICA SOLUCIÓN PARA EL CLIENTE POR EL INCUMPLIMIENTO DE ESTA GARANTÍA, CUALQUIER GARANTÍA IMPLÍCITA O CUALQUIER OTRA OBLIGACIÓN QUE SURJA POR MINISTERIO DE LA LEY SE LIMITARÁ A LO ESPECIFICADO EN EL PRESENTE DOCUMENTO A REPARAR, SUSTITUIR O REEMBOLSAR EL PRECIO DE LA COMPRA, SEGÚN ÚNICAMENTE EL CRITERIO DE LA EMPRESA.

EN NINGUNA CIRCUNSTANCIA LA EMPRESA, SUS FILIALES, SUBSIDIARIAS, ENTIDADES RELACIONADAS, DISTRIBUIDORES O SUS CORRESPONDIENTES DIRECTIVOS, ADMINISTRADORES, EMPLEADOS O AQUELLAS PERSONAS DE LOS QUE SEAN RESPONSABLES POR LEY, SERÁN RESPONSABLES DE LOS DAÑOS CONSECUCIONALES O INCIDENTALES RELACIONADOS CON EL PRODUCTO. LA EMPRESA Y ESTAS OTRAS PARTES NO ASUMEN NI AUTORIZAN A NINGÚN REPRESENTANTE U OTRA PERSONA QUE LO ASUMA POR ELLOS NINGUNA OBLIGACIÓN NI RESPONSABILIDAD DISTINTAS A LAS EXPRESAMENTE INDICADAS EN EL PRESENTE DOCUMENTO.

La duración, los términos y las condiciones de esta garantía son válidos en todo el mundo, excepto en los lugares donde la legislación local exija limitaciones, restricciones o condiciones diferentes.

Residentes de Australia solamente:

Nuestros productos vienen con garantías que no pueden excluirse según la ley australiana de consumo. Usted tiene derecho a un reemplazo o reembolso por una avería importante y a una indemnización por cualquier otra pérdida o daño razonablemente previsibles. Usted también tiene derecho a la reparación o reemplazo de los productos si estos no son de una calidad aceptable y la avería no puede considerarse una avería importante. Los beneficios al amparo de la garantía que otorga Fellowes se suman a otros derechos y recursos en virtud de lo que disponga una ley en relación con el producto.



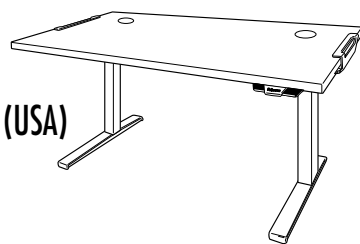
### SICHERHEITSHINWEISE/WARNHINWEIS

#### WARNUNG: WICHTIGE SICHERHEITSHINWEISE – Alle Hinweise vor dem Gebrauch lesen!

- **VORSICHT: Schwerlast!** Zum Bewegen des Schreibtischs sind zwei Personen erforderlich. Anderenfalls kann es zu schweren Verletzungen kommen.
- **DAS AUFGEFÜHRTE MAXIMALGEWICHT NICHT ÜBERSCHREITEN. ANDERENFALLS KANN ES ZU SCHWEREN VERLETZUNGEN ODER SACHSCHÄDEN KOMMEN.**
- Bei beschädigten oder defekten Teilen den Tisch nicht verwenden.
- Den Bedienungsbereich des Schreibtisches von Hindernissen freihalten.
- Objekte, deren Abmessungen eine Höhe von 61 cm überschreiten, nicht unter dem Schreibtisch platzieren.
- Auf allen Seiten des Schreibtisches zur Wand oder zu anderen Objekten mindestens 2,5 cm Abstand halten.
- Nicht auf dem Schreibtisch sitzen oder stehen.
- Die Tischbeine, den Steuerkasten und die Steuerung nicht auseinandernehmen. Anderenfalls kann es zu schweren Verletzungen kommen.
- Sicherstellen, dass alle Kabel die zur Höhenverstellung ausreichende Länge aufweisen und die Kabelführungsanweisungen dieser Anleitung beachten. Das Nichtbefolgen dieser Anweisungen kann zu Sachschäden oder Verletzungen führen.
- Flüssigkeiten von allen elektrischen Komponenten fernhalten. Elektrische Komponenten nur mit einem trockenen Tuch reinigen.
- Nur für den Innengebrauch vorgesehen.
- Das Netzkabel von Wärmequellen fernhalten.
- Vor der Reinigung oder Wartung den Schreibtisch vom Netzstrom trennen.
- Vor dem Bewegen des Schreibtisches alle Geräte und Zubehörteile vollständig entfernen.
- Kinder von den beweglichen Teilen und vom Bereich unter der Schreibtischplatte fernhalten.

#### Maximales Gewicht einschließlich Tischplatte

≤ 100 kg  
≤ 220 Pfund (USA)

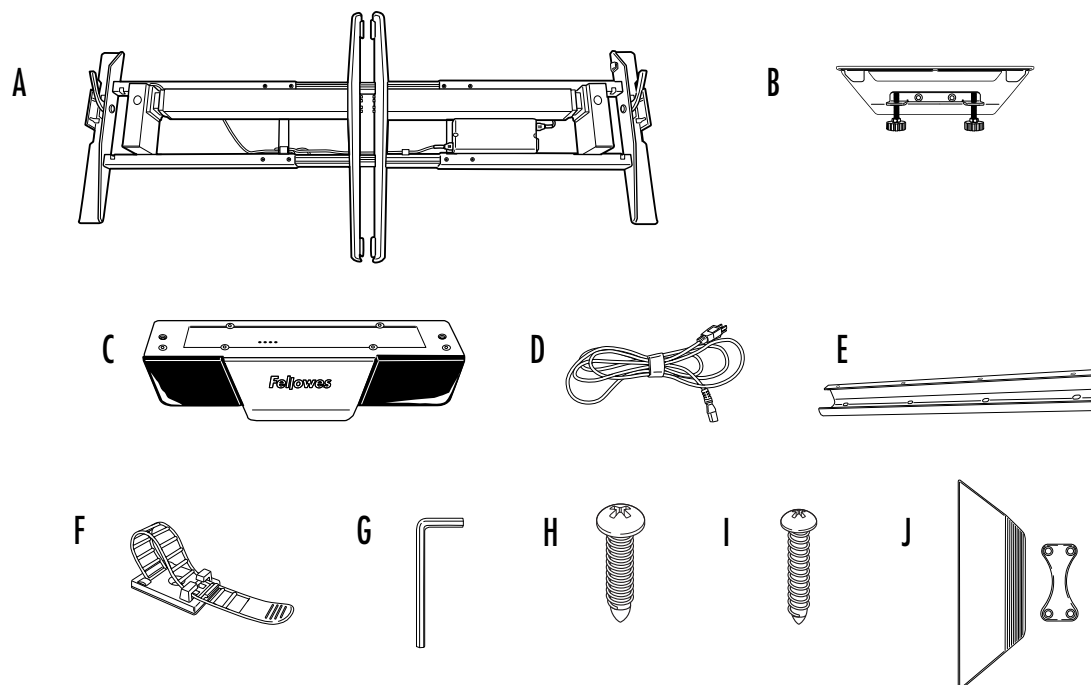


Passend für Tischplatten mit den folgenden Abmessungen:

- Breite: 1187 - 1816 mm
- Tiefe: 700 - 800 mm
- Dicke: 19 - 31,75 mm

### IM LIEFERUMFANG ENTHALTENE TEILE

- A Gestell x1
- B Klemme x2
- C Steuereinheit x1
- D Netzkabel x1
- E Kabelablage x1
- F Kabelführung x4
- G 5 mm-Inbusschlüssel x1
- H Linsenkopfschraube mit Kreuzschlitz M6 x14
- I Linsenkopfschraube mit Kreuzschlitz M3 x2
- J Klemmenabdeckungen x2



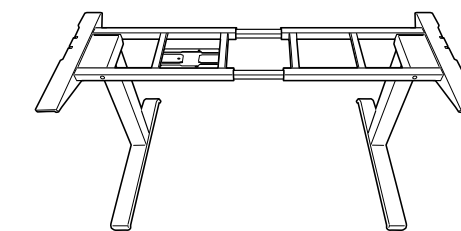
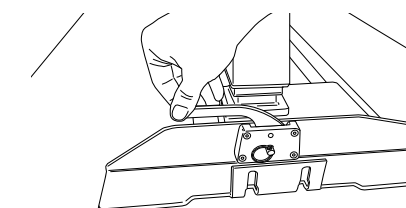
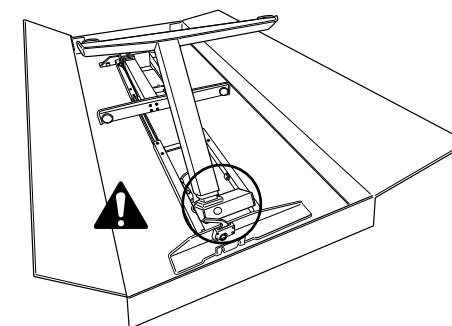
**Andere erforderliche Werkzeuge**  
Kreuzschraubenzieher

### INSTALLATIONSOPTION 1 - KLEMMEN

#### SCHRITT 1

##### Auspacken

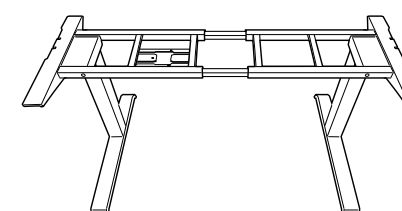
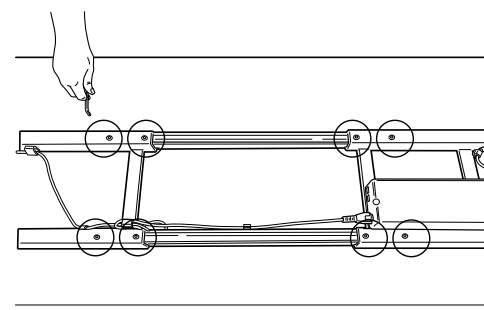
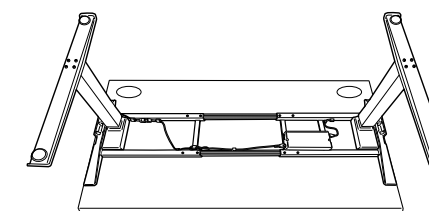
- Den Karton an der Oberseite öffnen.
- Sicherstellen, dass sich die Hebel am Gestell in aufrechter Position befinden.
- Die Tischbeine hochklappen, bis sie einrasten. **! WARNUNG: Quetschgefahr!** Beim Anheben der Tischbeine Hände und Objekte fernhalten.
- Die Tischbeine durch Herunterdrücken der Hebel verriegeln.
- Optional: Sollen die Tischbeine eingeklappt werden, sicherstellen, dass sich der Hebel in aufrechter Position befindet und kein Strom anliegt. Den Stift herausziehen und die Beine vorsichtig einklappen.
- Das Gestell mithilfe von zwei Personen aufrecht stellen.
- Das Gestell ist bei Lieferung für eine Tischplatte mit einer Breite von 1600 mm eingestellt. Sollte der Tisch nicht 1600 mm breit sein, muss das Gestell auf eine Breite zwischen 1187 mm und 1816 mm eingestellt werden. Siehe Schritt 1B, anderenfalls mit Schritt 2 fortfahren.



#### SCHRITT 1B – Nur erforderlich, wenn die Tischplatte nicht 1600 mm breit ist

##### Einstellen der Querstreben auf ihre endgültige Breite

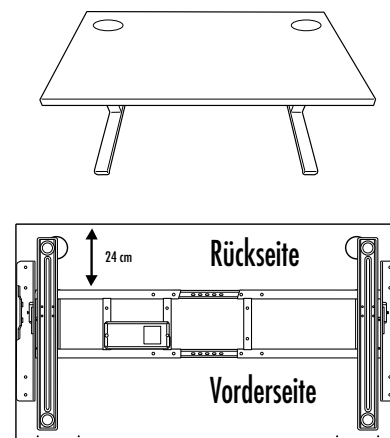
- Die Tischplatte mithilfe von zwei Personen auf einer weichen, sauberen Oberfläche mit der Oberseite nach unten auflegen und das Gestell auf die Tischplatte stellen.
- Mithilfe des 5 mm-Inbusschlüssels die 8 eingesetzten Schrauben auf der Innenseite der Querstreben lösen.
- Die Querstreben verlängern oder verkürzen, bis sie an beide Enden der Tischplatte reichen. Die Kabel nachziehen, bis ausreichend Länge für den Rahmen vorhanden ist.
- Nach dem Einstellen der Breite die (insgesamt 8) eingesetzten Schrauben mit dem 5 mm-Inbusschlüssel wieder festziehen.
- Das Gestell ohne die Tischplatte mithilfe von zwei Personen wieder umdrehen und aufrecht aufstellen.



## SCHRITT 2

Positionieren des Gestells vor dem Befestigen an der Tischplatte

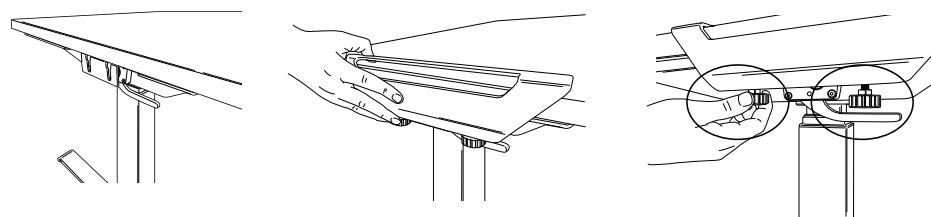
- Die Tischplatte mithilfe von zwei Personen auf das Gestell legen.
- Sicherstellen, dass die Stützen der Tischplatte auf beiden Seiten der Breite der Tischplatte entsprechen und an den vorgebohrten Löchern der Tischplatte ausrichten.
- Für 80 cm tiefe Tischplatten beträgt der Abstand der rückseitigen Querstrebe zur Rückseite der Tischplatte 24 cm.



## SCHRITT 3

Festklemmen des Gestells an der Tischplatte

- Klemmen an den Seiten der Tischplatte in Position gleiten lassen.
- An jeder Klemme die beiden Daumenschrauben festdrehen, bis sie hörbar einrasten.

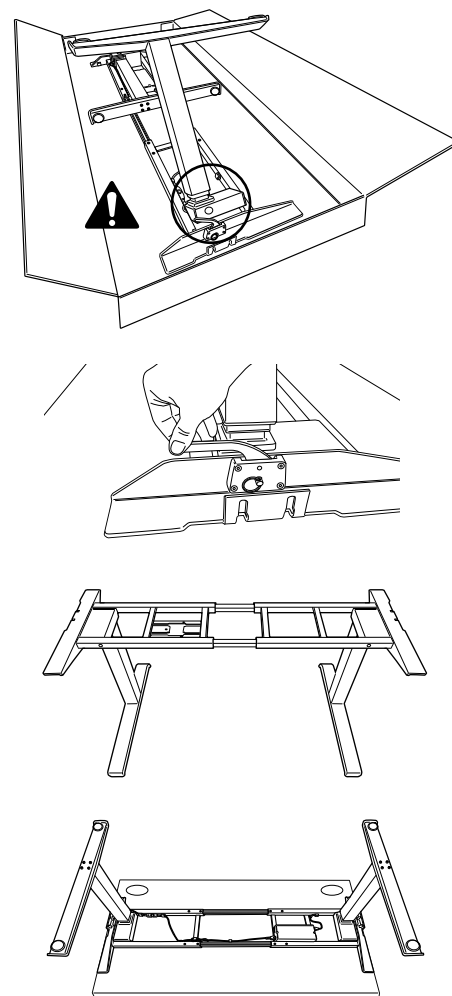


## INSTALLATIONSOPTION 2 – SCHRAUBEN

### SCHRITT 1

Vorbereiten der Installation mithilfe von zwei Personen

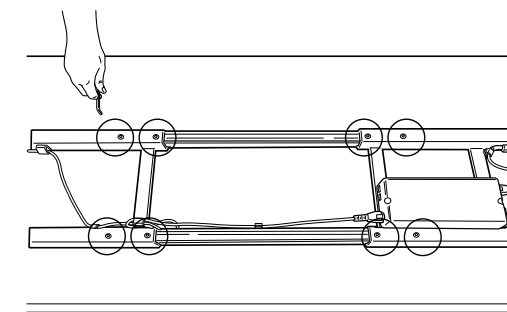
- Die Tischplatte mit der Oberseite nach unten auf eine weiche, saubere Oberfläche legen.
- Sicherstellen, dass sich die Hebel am Gestell in aufrechter Position befinden.
- Die Tischbeine hochklappen, bis sie einrasten. **! WARNUNG:** Quetschgefahr! Beim Anheben der Tischbeine Hände und Objekte fernhalten.
- Die Beine durch Herunterdrücken der Hebel verriegeln.
- Optional: Sollen die Tischbeine eingeklappt werden, sicherstellen, dass sich der Hebel in aufrechter Position befindet und kein Strom anliegt. Den Stift herausziehen und die Beine vorsichtig einklappen.
- Das Gestell aus dem Karton heben und auf die Tischplatte stellen.
- Das Gestell ist bei Lieferung für eine Tischplatte mit einer Breite von 1600 mm eingestellt. Sollte der Tisch nicht 1600 mm breit sein, muss das Gestell auf eine Breite zwischen 1187 mm und 1816 mm eingestellt werden. Siehe Schritt 1B, anderenfalls mit Schritt 2 fortfahren.



## SCHRITT 1B – Nur erforderlich, wenn die Tischplatte nicht 160 cm breit ist

Einstellen der Querstreben auf ihre endgültige Breite

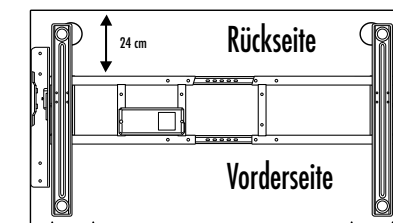
- Mithilfe des 5 mm-Inbusschlüssels die 8 eingesetzten Schrauben auf der Innenseite der Querstreben lösen.
- Die Querstreben verlängern oder verkürzen, bis sie an beide Enden der Tischplatte reichen. Die Kabel nachziehen, bis ausreichend Länge für den Rahmen vorhanden ist.
- Sicherstellen, dass das Gestell an den vorgebohrten Löchern der Tischplatte ausgerichtet ist.
- Nach dem Einstellen der Breite die (insgesamt 8) Schrauben mit dem 5 mm-Inbusschlüssel wieder festziehen.



## SCHRITT 2

Positionieren des Gestells vor dem Befestigen an der Tischplatte

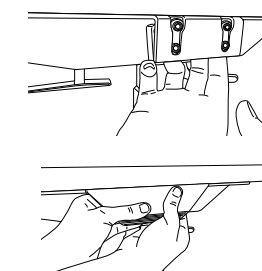
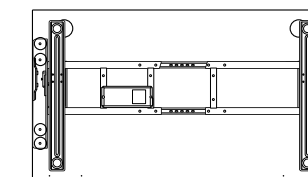
- Sicherstellen, dass die Stützen der Tischplatte auf beiden Seiten der Breite der Tischplatte entsprechen und an den vorgebohrten Löchern der Tischplatte ausrichten.
- Für 80 cm tiefe Tischplatten beträgt der Abstand der rückseitigen Querstrebe zur Rückseite der Schreibtischplatte 24 cm.



## SCHRITT 3

Befestigen des Gestells an der Tischplatte

- Die Linsenkopfschrauben mit Kreuzschlitz M6 (8 insgesamt) und einen Kreuzschlitzschraubendreher verwenden.
- Die Schrauben passen durch Führungen in die Oberseite der Stützen. Sicherstellen, dass das Gestell an den vorgebohrten Löchern der Tischplatte ausgerichtet ist.
- Das Gestell und die Tischplatte mithilfe von zwei Personen wieder umdrehen und aufrecht aufstellen.
- Auf beiden Seiten die Klemmenabdeckungen anbringen. Dabei mit dem kleineren Teil beginnen, welches auf der Innenseite der Klemmenhalterung angebracht wird. Das größere Teil ausrichten und durch Drücken fest anbringen.

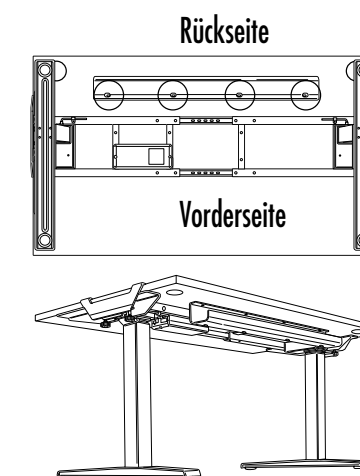


## INSTALLATION DES ZUBEHÖRS

### SCHRITT 1

Kabelführung

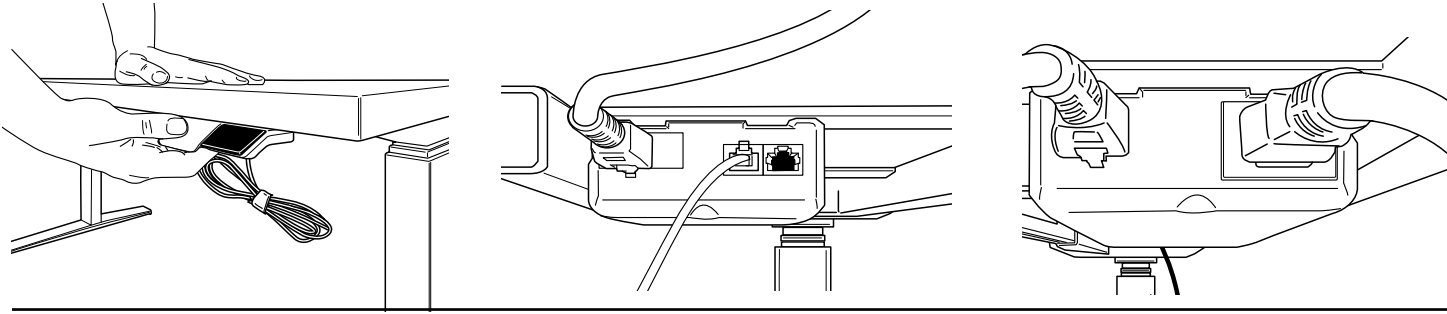
- Die (4) Kreuzschlitzschrauben zur Hälfte in die vorgebohrten Löcher auf der Rückseite des Tisches einschrauben.
- Die Keilnuten des Kabelträgers an den Schrauben einhaken und den Träger schieben, um ihn zu arretieren. (Hinweis: Das offene Ende des Kabelträgers muss zur Rückseite des Tisches zeigen.)
- Die (4) Kreuzschlitzschrauben anziehen, um den Kabelträger zu sichern.
- Bei Bedarf die zusätzliche Kabelführung verwenden.
- Die Kabel dürfen die Bewegungen des Schreibtisches nicht behindern.
- Die Kabel dürfen den Benutzer nicht behindern.



## SCHRITT 2

Befestigen der Steuereinheit mithilfe des Klebestreifens oder der zwei Linsenkopfschrauben mit Kreuzschlitz M3

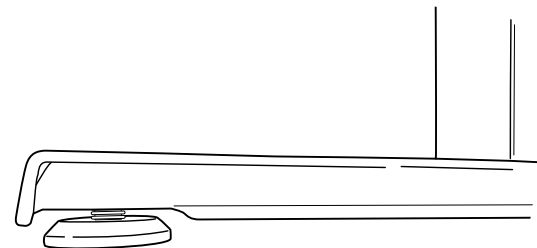
- Je nach Bedarf die Steuereinheit an der linken oder rechten Seite der Tischplatte anbringen.
- Die Steuereinheit bündig mit der vorderen Tischkante anbringen. Bei einer Befestigung mit M3-Schrauben sicherstellen, dass die Steuereinheit an den vorgebohrten Löchern in der Tischplatte ausgerichtet ist.
- Die Steuereinheit mit dem Steuerkasten am Schreibtischgestell verbinden.
- Das Netzkabel an den Steuerkasten am Schreibtischgestell anschließen und in eine Netzsteckdose einstecken.



## SCHRITT 3

Einstellen der Höhe an den Tischbeinen

- Sollte sich die Tischplatte nicht ausbalanciert anfühlen, die 4 Einstellschrauben an den Unterseiten der Tischbeine entsprechend justieren.
- Die Schraubfüße lassen sich im Uhrzeigersinn heraus- und gegen den Uhrzeigersinn hineindrehen.



## GEBRAUCHSANLEITUNG

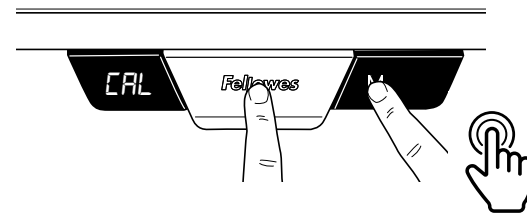
### DAS SYSTEM INITIALISIEREN

**ACHTUNG:** Zum Bedienen der Steuereinheit ist nur eine leichte Berührung erforderlich. Beim Absenken des Tisches leichten Druck auf die Mitte der Steuereinheit ausüben (Fellowes-Logo). Zu starkes Drücken, Ziehen oder Schieben am unteren Teil der Steuereinheit kann zu Schäden am Produkt führen.

**WICHTIG:** Vor Inbetriebnahme des Schreibtisches muss das folgende Initialisierungsverfahren durchgeführt werden. Während des Initialisierungsvorgangs wird CAL angezeigt. Die Anzeige bleibt so lange bestehen, bis der Vorgang abgeschlossen ist.

**VORSICHT:** Sicherstellen, dass ausreichend Abstand gewährleistet ist. Sämtliche Gegenstände vom Schreibtisch entfernen.

- Das Fellowes-Logo und die M-Tasten gleichzeitig 10 bis 15 Sekunden lang leicht berühren.
- Die Tischbeine bewegen sich mit halber Normalgeschwindigkeit nach unten.
- Die Tasten weiter gedrückt halten.
- Die Tischbeine bewegen sich weiter nach unten bis zur niedrigsten Position, dann wieder 2 bis 5 mm nach oben und halten dann an. Dies kann je nach Dicke der Tischplatte zwischen 10 und 45 Sekunden dauern.
- Beide Tasten gleichzeitig loslassen. Damit ist das Initialisierungsverfahren abgeschlossen.
- Wird das Initialisierungsverfahren gestartet und nicht abgeschlossen, kann der Schreibtisch nicht betrieben werden. Das Initialisierungsverfahren muss abgeschlossen werden.



## ALLGEMEINER BETRIEB

Den Tisch nach oben oder unten bewegen, indem mit dem Finger leicht auf die Ober- oder Rückseite der Steuereinheit gedrückt wird, bis die Arbeitsfläche die gewünschte Höhe erreicht.

Die Tischplatte bewegt sich weiter nach oben oder unten, bis die Taste losgelassen wird oder die maximale bzw. minimale Höhe erreicht ist.

## SPEICHER-STOPP-POSITIONEN

Es gibt zwei Gruppen von Speichereinstellungen. Jede Gruppe besteht aus zwei Höheneinstellungen. Zum Umschalten zwischen zwei Benutzern die M-Taste kurz drücken. Das Display zeigt dann entweder U1 oder U2 an. Es können bis zu vier Speicher-Stopp-Positionen verwendet werden, um bestimmte Arbeitsplatzhöhen zu speichern. Position festlegen:

Den Schreibtisch in die zu speichernde Höhe bringen.

Die M-Taste zwei Sekunden lang berühren, bis das LED-Display blinkt. Das bedeutet, dass die Position gespeichert wurde. Die Speichereinstellungen können gelöscht werden, indem die M-Taste 8 Sekunden lang berührt wird, bis CLR angezeigt wird.

## ÄNDERN DER HÖHENEINSTELLUNGSEINHEITEN

Mithilfe dieser Funktion können die Anzeigeeinheiten von Zoll auf Zentimeter umgestellt werden.

Leicht berühren und gleichzeitig 10 Sekunden lang nach oben und unten halten.

## DAS SYSTEM AUF DIE WERKSEINSTELLUNGEN ZURÜCKSETZEN

Zum Zurücksetzen der Steuereinheit auf die Werkseinstellungen die gleichen Anweisungen wie unter „System initialisieren“ befolgen.

Im Falle einer Fehlermeldung oder bei einem Stromausfall das System bitte zurücksetzen.

## FELLOWES LEVADO™ BESCHRÄNKTE GARANTIE HÖHENVERSTELLBARES SCHREIBTISCHGESTELL

Fellowes, Inc. (das „Unternehmen“) garantiert für den im Folgenden genannten Zeitraum, dass das höhenverstellbare Schreibtischgestell Levado™ („Produkt“) frei von Herstellungs- und Materialmängeln ist.

Diese gilt für die Rahmenstruktur für einen Zeitraum von fünfzehn (15) Jahren ab Kaufdatum des Produkts.

Diese gilt für alle elektrischen Komponenten für einen Zeitraum von sieben (7) Jahren ab Kaufdatum des Produkts.

Diese Garantie gilt nur für den ersten Käufer. Ausgeschlossen von der Garantie sind Forderungen, die auf unsachgemäßen Gebrauch, die Missachtung von Installations- und Gebrauchsanweisungen, Nachlässigkeit, die Verwendung nicht zugelassener Zusatzgeräte, kommerzielle Nutzung, den Betrieb bei Strom- oder Spannungsbedingungen außerhalb der Spezifikation oder unerlaubte Wartung während des Garantiezeitraums, außerhalb der vorliegenden Garantiebedingungen, zurückzuführen sind.

DIE DAUER ETWAIGER STILLSCHWEIGENDER GARANTIEEN, UNTER ANDEREM DIE DER MARKTTAUGLICHKEIT ODER EIGNUNG FÜR EINEN BESTIMMTEN ZWECK, IST AUSDRÜCKLICH AUF DIE DAUER DER BEGRENZTEN GARANTIE BESCHRÄNKT.

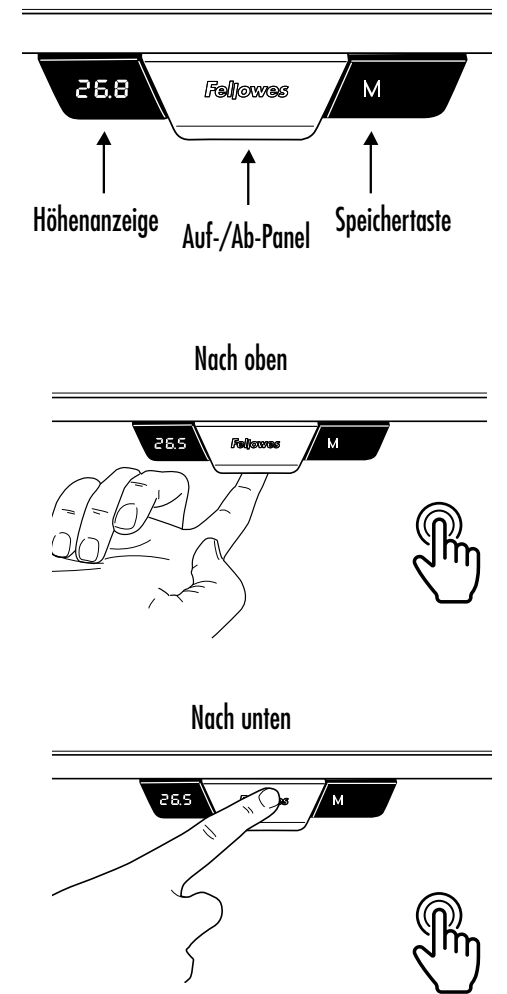
SOWEIT GESETZLICH NICHT ANDERS VORGESCHRIEBEN, BESTEHT DIE EINZIGE ABHILFEMASSNAHME DES KUNDEN BEI EINTRETEN DES GARANTIEFALLS ODER BERÜCKSICHTIGUNG ANDERER STILLSCHWEIGENDER GARANTIEEN ODER VERPFLICHTUNGEN, DIE SICH GESETZLICH ODER ANDERWEITIG ERGEBEN, WIE IN DIESER GARANTIEERKLÄRUNG BESCHRIEBEN, MAXIMAL IN DER REPARATUR, IM ERSATZ ODER IN DER KAUFPREISERSTATTUNG, WOBEI DIE WAHL DER ABHILFE IM ALLEINGEN ERMESSEN DES UNTERNEHMENS LIEGT.

DAS UNTERNEHMEN, SEINE TOCHTERGESELLSCHAFTEN, NIEDERLASSUNGEN, ZUGEHÖRIGEN ENTITÄTEN, HÄNDLER ODER DEREN JEWELIGE BEAUFTRAGTE, DIREKTOREN, MITARBEITER ODER DIE PERSONEN, FÜR DIE SIE GESETZLICH VERANTWORTLICH SIND, HAFTEN IN KEINEM FALL FÜR FOLGESCHÄDEN ODER BEILÄUFIGE SCHÄDEN, DIE SICH IM ZUSAMMENHANG MIT DEM PRODUKT ERGEBEN KÖNNTEN. DAS UNTERNEHMEN UND DIE GENANNTEN ANDEREN PARTEIEN ÜBERNEHMEN KEINE VERPFLICHTUNG ODER HAFTUNG AUSSERHALB DER HIERIN GEREGLTEN BESTIMMUNGEN, UND BERECHTIGEN AUCH KEINEN VERTRETER ODER SONSTIGE PERSONEN ZUR ÜBERNAHME EINER SOLCHEN VERPFLICHTUNG ODER HAFTUNG.

Dauer, Bedingungen und Konditionen dieser Garantie gelten weltweit, außer lokale Gesetze schreiben andere Begrenzungen, Einschränkungen oder Konditionen vor.

Nur für Australien:

Unsere Waren werden mit Garantie geliefert, die unter dem australischen Verbrauchergesetz nicht ausgeschlossen werden kann. Sie haben Anspruch auf Ersatz oder Erstattung bei größeren Fehlern und auf Schadensersatz bei jedem anderen, unter normalen Bedingungen vorhersehbaren Verlust oder Schaden. Sie haben auch Anspruch auf Reparatur oder Ersatz der Ware, falls diese keine annehmbare Qualität aufweist und es sich bei dem Fehler um keinen größeren Fehler handelt. Die Leistungen im Rahmen der Garantie von Fellowes gelten zusätzlich zu anderen Rechten und Rechtsmitteln im Rahmen von Gesetzen zum Produkt.





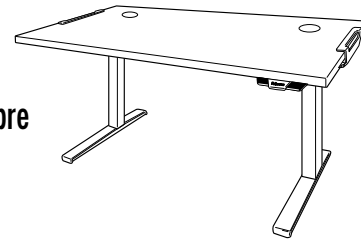
**ISTRUZIONI DI SICUREZZA/AVVERTENZE**

**AVVERTENZA: IMPORTANTI ISTRUZIONI SULLA SICUREZZA - Leggere prima dell'uso!**

- **ATTENZIONE:** rischio da sollevamento! Sono necessarie due persone per spostare la scrivania. Si potrebbero causare lesioni gravi.
- **NON SUPERARE LA CAPACITÀ DI PESO MASSIMA INDICATA, IN QUANTO SI POTREBBERO CAUSARE LESIONI GRAVI O IL DANNEGGIAMENTO DEI PRODOTTI.**
- Non utilizzare il tavolo se una delle sue parti è danneggiata o difettosa.
- Non collocare ostacoli lungo il percorso della scrivania.
- Sotto la scrivania, non collocare oggetti di altezza superiore ai 610 mm (24").
- Accertarsi che la scrivania disponga di un adeguato spazio libero su tutti i lati (almeno 25 mm [1"]), rispetto a pareti e oggetti circostanti.
- Non sedersi o salire sulla scrivania.
- Non smontare le gambe, la centralina o i comandi. Si potrebbero causare lesioni gravi.
- Accertarsi che tutti i cavi abbiano una lunghezza sufficiente per adattarsi alle variazioni dell'altezza e seguire le istruzioni riportate nel manuale in merito al loro posizionamento. La mancata osservanza delle istruzioni può causare danni all'attrezzatura o lesioni personali.
- Tenere le sostanze liquide lontane dai componenti elettrici, pulendoli solo con un panno asciutto.
- Solo per l'uso in locali chiusi.
- Tenere il cavo di alimentazione lontano da fonti di calore.
- Prima di spostare o eseguire la manutenzione della scrivania, scollegarla dalla presa di corrente.
- Rimuovere tutta l'attrezzatura e gli accessori dalla scrivania prima di spostarla.
- Tenere i bambini lontani da parti in movimento e impedire che vadano sotto la scrivania.

**Peso massimo incluso il piano del tavolo**

≤ 100 kg  
≤ 220 libbre

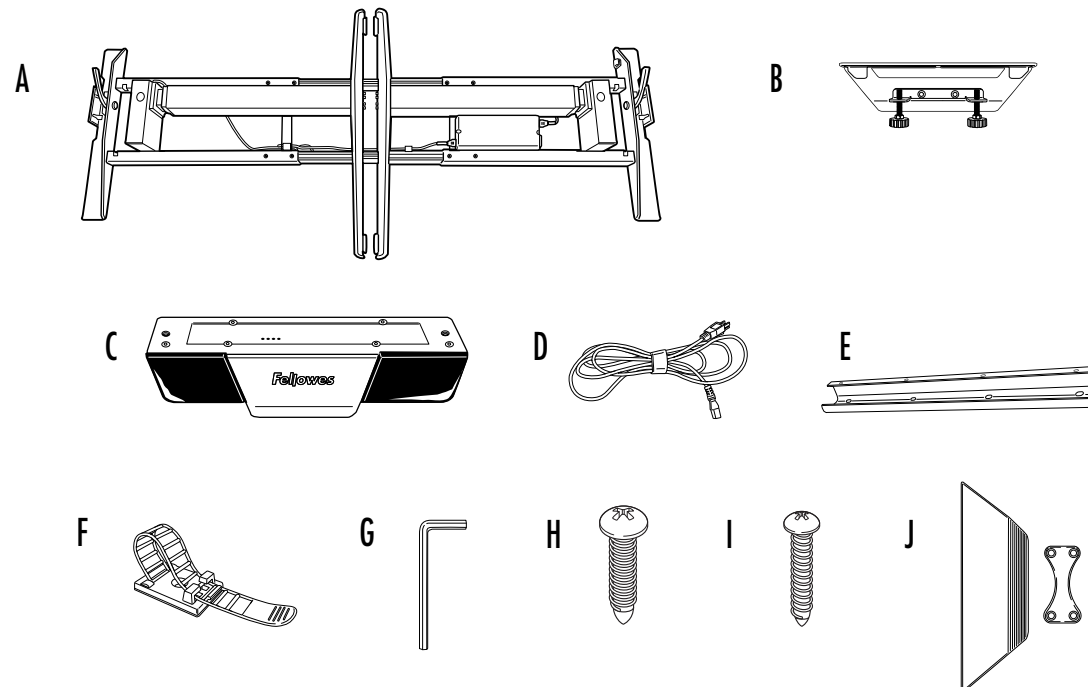


Adatto a piani d'appoggio con le seguenti dimensioni:

- Larghezza: 1.187 - 1.816 mm
- Profondità: 700 - 800 mm
- Spessore: 19 - 31,75 mm

**COMPONENTI INCLUSI**

- A Base x1
- B Morsetto x2
- C Dispositivo di controllo manuale x1
- D Cavo di alimentazione x1
- E Guida per cavi x1
- F Portacavo x4
- G Chiave a brugola da 5 mm x1
- H Vite a testa rotonda Phillips M6 x14
- I Vite a testa rotonda Phillips M3 x2
- J Coprimorsetto x2



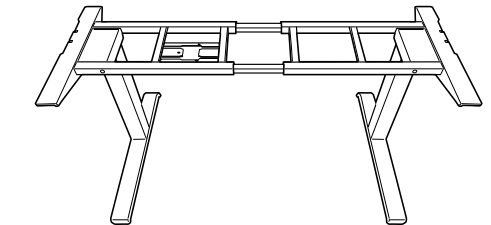
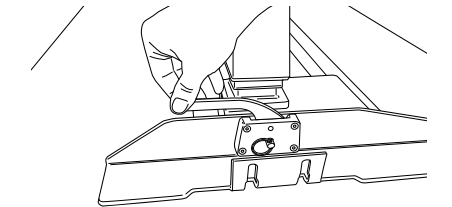
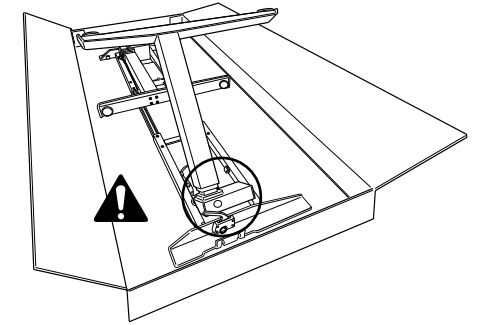
**Altri utensili necessari**  
Cacciavite a stella

**OPZIONE DI INSTALLAZIONE 1 - MORSETTI**

**FASE 1**

Disimballaggio

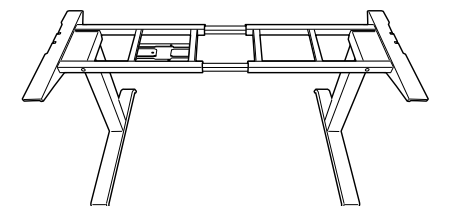
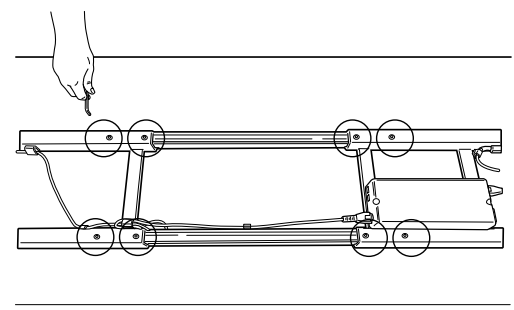
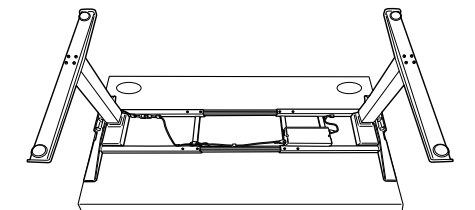
- Aprire la scatola dalla parte superiore.
- Accertarsi che le leve sulla base si trovino in posizione verticale.
- Piegare le gambe verso l'esterno fino a percepire uno scatto. **⚠ AVVERTENZA:** punto di pericolo! Tenere le mani ed eventuali oggetti lontani durante il sollevamento delle gambe.
- Bloccare le gambe in posizione spingendo le leve verso il basso.
- Opzionale: se è necessario piegare le gambe, accertarsi che la leva si trovi in posizione verticale e che il cavo di alimentazione sia staccato. Estrarre il perno e ripiegare con attenzione le gambe.
- Con l'aiuto di un'altra persona, portare la base in posizione verticale.
- La base viene fornita già regolata per tavoli larghi 1600 mm (63"). Se la larghezza del tavolo non è di 1600 mm (63"), la larghezza della base dovrà essere regolata da un minimo di 1187 mm (47") fino a un massimo di 1816 mm (71,5"). Consultare la fase 1B, oppure proseguire alla fase 2.



**FASE 1B - Necessaria solo per tavoli di larghezza diversa da 1600 mm (63")**

Regolare i canali trasversali alla lunghezza massima e minima

- Con l'aiuto di un'altra persona, ribaltare il piano del tavolo collocandolo su una superficie pulita e morbida. Collocare quindi la base sul tavolo.
- Utilizzare la chiave a brugola da 5 mm per svitare le viti di fissaggio (8) sul lato interno dei canali trasversali.
- Allungare o accorciare i canali trasversali finché risultano a filo con entrambe le estremità della scrivania. Svolgere i cavi quanto necessario a consentire una corretta regolazione del telaio.
- Quando la regolazione è corretta, utilizzare la chiave a brugola da 5 mm per serrare nuovamente le viti di fissaggio (8 in totale).
- Con l'aiuto di un'altra persona raddrizzare solo la base.

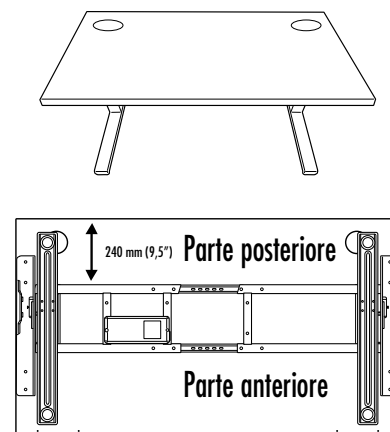




## FASE 2

Regolare la posizione del telaio prima di fissarlo al tavolo

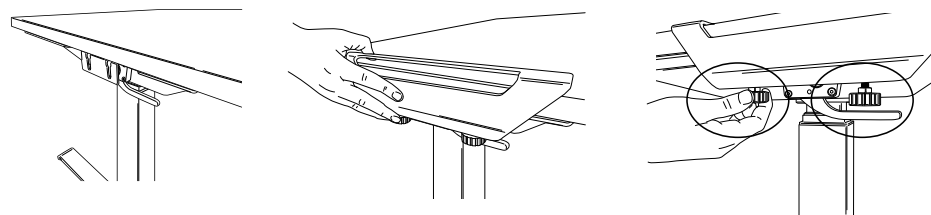
- Con l'aiuto di un'altra persona, collocare il piano del tavolo sulla base.
- Accertarsi che i supporti del piano del tavolo su entrambi i lati risultino a filo con entrambe le estremità della scrivania e che siano allineati ai fori già presenti.
- Per piani da 800 mm (31,5") di profondità, il canale trasversale posteriore si trova a 240 mm (9,5") a partire dalla parte posteriore del tavolo.



## FASE 3

Fissare la base al tavolo

- Far scivolare i morsetti su entrambi i lati del tavolo.
- Per ogni morsetto, serrare le (2) viti a testa zigrinata fino a percepire uno scatto.

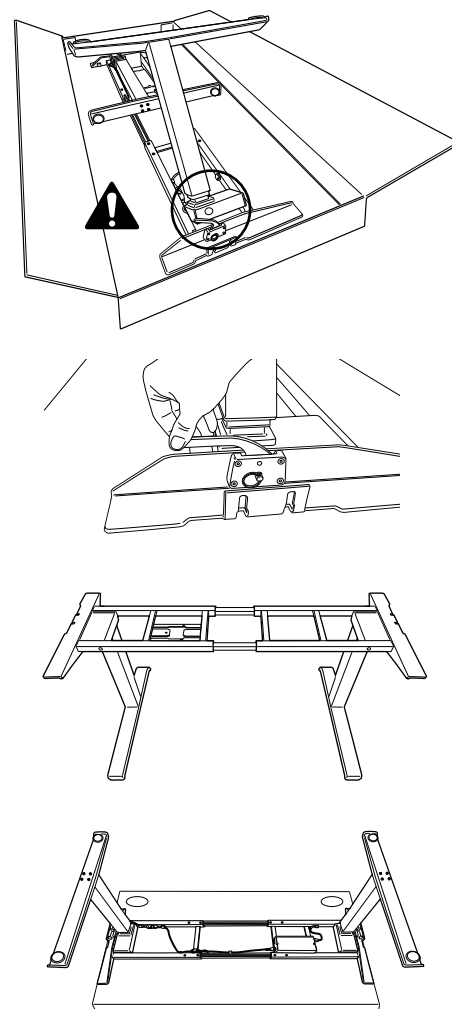


## OPZIONE DI INSTALLAZIONE 2 - PARTI METALLICHE

### FASE 1

Prepararsi all'installazione chiedendo l'aiuto di una seconda persona

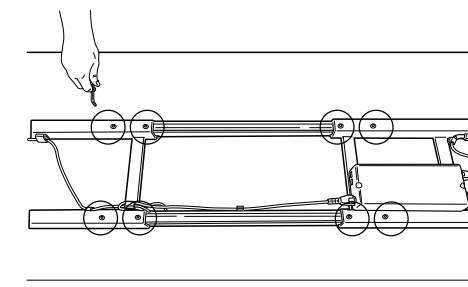
- Ribaltare la superficie del tavolo su una superficie morbida e pulita.
- Accertarsi che le leve sulla base si trovino in posizione verticale.
- Piegare le gambe verso l'esterno fino a percepire uno scatto.  
**⚠ ATTENZIONE:** punto di pericolo! Tenere le mani ed eventuali oggetti lontani durante il sollevamento delle gambe.
- Bloccare le gambe in posizione spingendo le leve verso il basso.
- Opzionale: se è necessario piegare le gambe, accertarsi che la leva si trovi in posizione verticale e che il cavo di alimentazione sia scollegato. Estrarre il perno e ripiegare con attenzione le gambe.
- Sollevare la base per rimuoverla dalla scatola e collocarla sul tavolo.
- La base viene fornita già regolata per tavoli larghi 1600 mm (63"). Se la larghezza del tavolo non è di 1600 mm (63"), la larghezza della base dovrà essere regolata da un minimo di 1187 mm (47") fino a un massimo di 1816 mm (71,5"). Consultare la fase 1B, oppure proseguire alla fase 2.



## FASE 1B - Necessaria solo per tavoli di larghezza diversa da 1600 mm (63")

Regolare i canali trasversali alla lunghezza massima e minima

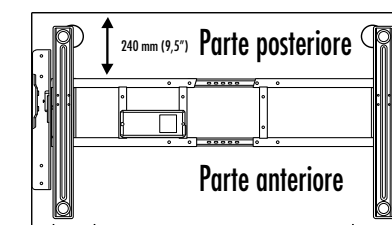
- Utilizzare la chiave a brugola da 5 mm per svitare le viti di fissaggio (8) sul lato interno dei canali trasversali.
- Allungare o accorciare i canali trasversali finché risultano a filo con entrambe le estremità della scrivania. Svolgere i cavi quanto necessario a consentire una corretta regolazione del telaio.
- Accertare il corretto allineamento con i fori già presenti sulla scrivania.
- Quando la regolazione è corretta, utilizzare la chiave a brugola da 5 mm per serrare nuovamente le viti di fissaggio (8 in totale).



## FASE 2

Regolare la posizione del telaio prima di fissarlo al tavolo.

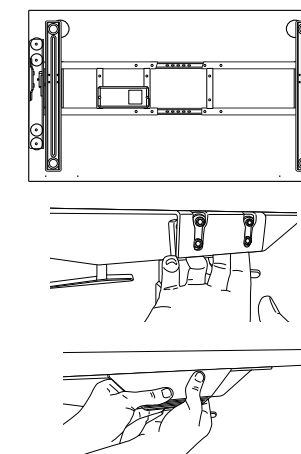
- Accertarsi che i supporti del piano su entrambi i lati risultino a filo con entrambe le estremità della scrivania e che siano allineati ai fori già presenti.
- Per piani da 800 mm (31,5") di profondità, il canale trasversale posteriore si trova a 240 mm (9,5") a partire dalla parte posteriore del tavolo.



## FASE 3

Fissare la base al tavolo

- Usare le viti a testa tonda Phillips M6 (necessarie 8 in totale) e un cacciavite a stella.
- Le viti passano attraverso le guide nella parte superiore dei supporti. Accertare il corretto allineamento con i fori già presenti sulla scrivania.
- Con l'aiuto di un'altra persona, ruotare base e tavolo.
- Fissare i coprimorsetto su entrambi i lati. Iniziare collocando il pezzo più piccolo all'interno della staffa del morsetto. Allineare il pezzo più grande e applicare pressione per fissarlo.

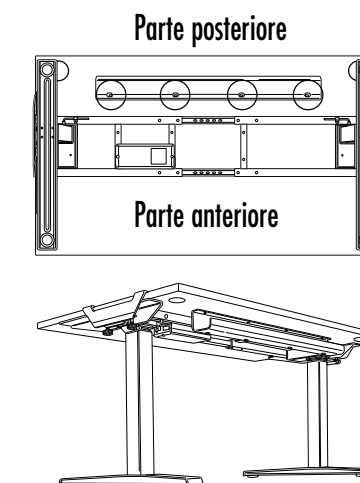


## INSTALLAZIONE DEGLI ACCESSORI

### FASE 1

Sistemazione dei cavi

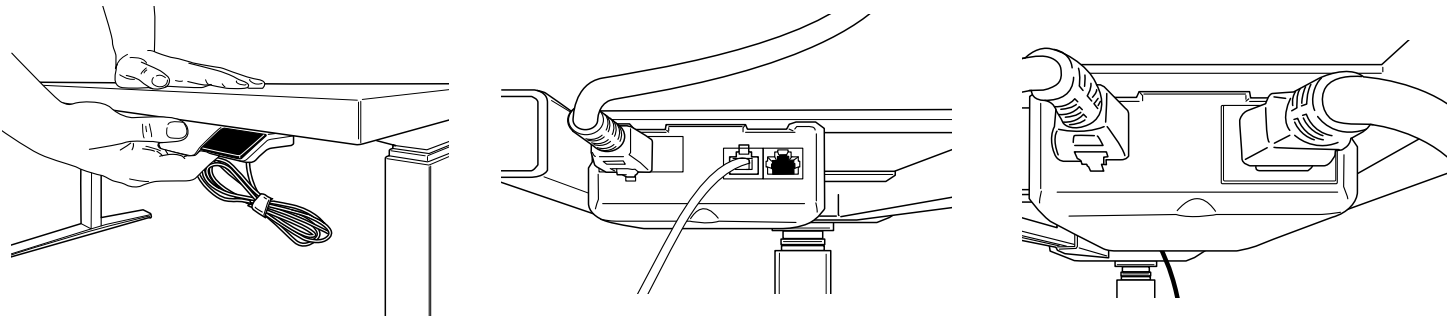
- Inserire parzialmente (4) viti a testa rotonda nei fori preforati situati nella parte posteriore del tavolo.
- Agganciare le fessure della chiave del vassoio passacavi alle viti e far scorrere il vassoio per bloccarlo in posizione. (Nota: l'estremità aperta del vassoio passacavi dovrebbe essere rivolta verso la parte posteriore del tavolo.)
- Stringere le (4) viti a testa rotonda Philips per fissare il vassoio passacavi.
- Se necessario utilizzare anche l'altro accessorio portacavi fornito.
- I cavi non devono interferire con il funzionamento del tavolo.
- I cavi non devono interferire con l'utilizzatore.



## FASE 2

Fissare il dispositivo di controllo manuale utilizzando la striscia adesiva o due viti a testa tonda Phillips M3

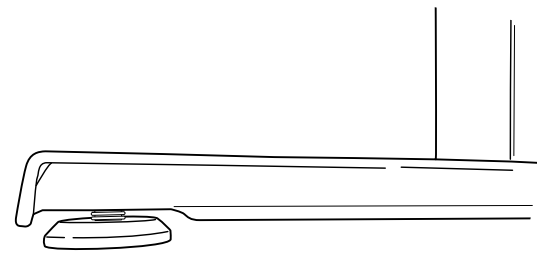
- Posizionare il dispositivo di controllo manuale sulla destra o la sinistra del tavolo, in base alla preferenza dell'utilizzatore.
- Montare il dispositivo di controllo manuale a filo del bordo anteriore del tavolo. Se il dispositivo viene fissato tramite viti M3, accertarsi che questo sia allineato ai fori già presenti sulla scrivania.
- Collegare il dispositivo di controllo manuale sulla base.
- Collegare il cavo di alimentazione alla base e a una presa di alimentazione.



## FASE 3

Livellare i piedini

- Se il tavolo non è perfettamente stabile, regolare i (4) piedini di livellamento posti sotto i piedi del tavolo.
- Ruotarli in senso orario per abbassarli e in senso antiorario per sollevarli



## ISTRUZIONI PER L'USO

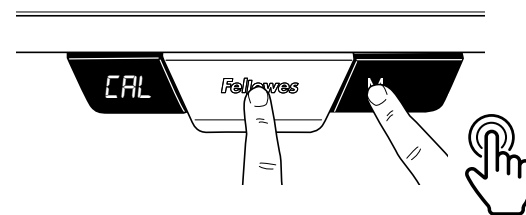
### INIZIALIZZARE IL SISTEMA

**ATTENZIONE:** per far funzionare il dispositivo di controllo manuale è sufficiente una leggera pressione. Nell'abbassare il tavolo, applicare una leggera pressione al centro del dispositivo (logo Fellowes). Applicare una pressione eccessiva, tirare o spingere la parte inferiore del dispositivo può danneggiare l'unità.

**IMPORTANTE:** la procedura di inizializzazione sotto riportata deve essere completata prima di utilizzare il tavolo. Durante l'operazione di inizializzazione, viene visualizzata la scritta CLR che rimarrà fino al completamento della procedura.

**ATTENZIONE:** accertarsi che vi sia uno spazio libero sufficiente. Accertarsi che tutti gli oggetti circostanti siano sufficientemente lontani dal tavolo

- Toccare leggermente il logo Fellowes e i pulsanti M contemporaneamente per 10-15 secondi.
- Le gambe inizieranno a scendere a una velocità dimezzata rispetto a quella normale.
- Continuare a tenere premuti i pulsanti.
- Le gambe inizieranno a scendere per raggiungere la posizione più bassa, si rialzeranno quindi dai 2 mm ai 5 mm (da 1/16" a 3/16") e quindi si fermeranno. Questa operazione può richiedere dai 10 ai 45 secondi, in base allo spessore del piano d'appoggio.
- Rilasciare entrambi i pulsanti contemporaneamente. In questo modo viene completata la procedura di inizializzazione.
- Se l'inizializzazione viene avviata senza portarla a termine, il tavolo non funzionerà. È necessario terminare il processo di inizializzazione.



## FUNZIONAMENTO GENERALE

Alzare o abbassare il tavolo tenendo leggermente il dito sulla parte superiore o posteriore del dispositivo di controllo manuale, finché il piano di lavoro non raggiunge l'altezza desiderata.

Il tavolo continuerà ad alzarsi o abbassarsi fino al rilascio del pulsante o finché non viene raggiunta l'altezza massima o minima.

### MEMORIZZAZIONE DELLE POSIZIONI DI ARRESTO

Sono disponibili due gruppi di impostazione della memoria, ognuno con due impostazioni di altezza. Per passare da un utilizzatore all'altro temporaneamente premere il pulsante M. Il display visualizzerà il messaggio U1 o U2. È possibile inserire in memoria fino a 4 posizioni di arresto per salvare specifiche altezze della superficie di lavoro. Per impostare una posizione specifica:

Alzare o abbassare il tavolo fino alla posizione che si desidera salvare.

Premere leggermente il pulsante M per due secondi: il display LED lampeggerà. Questo significa che il sistema ha memorizzato la posizione. Per annullare le impostazioni della memoria, tenere leggermente premuto il pulsante M per 8 secondi finché non viene visualizzata la scritta CLR.

### MODIFICA DELLE UNITÀ DI VISUALIZZAZIONE DELL'ALTEZZA

Questa funzione consente di visualizzare sul display le unità in centimetri o in pollici.

Toccare leggermente e tenere premuti contemporaneamente i pulsanti su e giù per 10 secondi.

### RESETTARE IL SISTEMA ALLE IMPOSTAZIONI DI FABBRICA

Per ripristinare le impostazioni di fabbrica del dispositivo, seguire le stesse istruzioni di "Inizializzare il Sistema".

In caso di messaggio di errore o in caso di interruzione di corrente si prega di resettare il sistema.



## GARANZIA LIMITATA DELLA BASE PER SCRIVANIA AD ALTEZZA REGOLABILE FELLOWES LEVADO™

Fellowes, Inc. ("L'Azienda") garantisce che la base per scrivania ad altezza regolabile Levado™ (il "Prodotto") sarà priva di difetti di materiali e fabbricazione per il periodo di tempo di seguito stabilito.

Il telaio strutturale per un periodo di quindici (15) anni a decorrere dalla data di acquisto originale del Prodotto.

Tutti i componenti elettrici per un periodo di sette (7) anni a decorrere dalla data di acquisto originale del Prodotto.

La presente garanzia si applica esclusivamente all'acquirente originario e non copre le richieste per danni causati da un uso non corretto, inosservanza delle istruzioni di installazione e utilizzo, trascuratezza, utilizzo di accessori non autorizzati, uso commerciale, utilizzo con tensione o corrente diversa da quella specificata sul prodotto o manutenzione non autorizzata durante il periodo di garanzia, in condizioni altrimenti coperte dalla garanzia.

LA DURATA DELLE GARANZIE IMPLICITE, INCLUSE MA NON LIMITATE A GARANZIE IMPLICITE DI COMMERCIALIZZABILITÀ O IDONEITÀ PER UNO SCOPO PARTICOLARE, È ESPRESSAMENTE LIMITATA ALLA DURATA DELLA PRESENTE GARANZIA LIMITATA.

SALVO DISPOSIZIONI DELLA LEGGE IN VIGORE, L'UNICO RIMEDIO PER IL CLIENTE, IN CASO DI VIOLAZIONE DI QUESTA GARANZIA O DI ALTRE GARANZIE IMPLICITE O DI ALTRI OBBLIGHI DERIVANTI A NORMA DI LEGGE O IN ALTRO MODO, SARÀ LIMITATO COME QUI SPECIFICATO ALLA RIPARAZIONE, SOSTITUZIONE O RIMBORSO DEL PREZZO DI ACQUISTO, AD ESCLUSIVA DISCREZIONE DELLA SOCIETÀ.

IN NESSUN CASO L'AZIENDA, LE SUE AZIENDE AFFILIATE, FILIALI, ENTITÀ CORRELATE, RIVENDITORI O I RISPETTIVI COLLABORATORI, DIRETTORI O DIPENDENTI O LE PERSONE PER LE QUALI SONO RESPONSABILI PER LEGGE, POTRANNO ESSERE RITENUTI RESPONSABILI DI QUALSIASI DANNO CONSEGUENZIALE O ACCIDENTALE SUBITO IN RELAZIONE AL PRODOTTO. L'AZIENDA E LE ALTRE PARTI NON SI ASSUMONO O AUTORIZZANO RAPPRESENTANTI O ALTRE PERSONE AD ASSUMERSI PER NESSUNO DI LORO OBBLIGHI O RESPONSABILITÀ DIVERSE DA QUANTO ESPRESSAMENTE INDICATO NEL PRESENTE DOCUMENTO.

La durata, i termini e le condizioni della presente garanzia sono validi a livello mondiale, ad eccezione dei luoghi in cui, in base alla legislazione vigente, siano previste limitazioni, restrizioni o condizioni diverse.

Solo per i residenti in Australia:

I nostri prodotti sono accompagnati da garanzie che non possono essere escluse in base alla legge per i consumatori australiani. Il cliente ha diritto a una sostituzione o un rimborso in caso di guasto di grave entità e a risarcimento per eventuali altri danni o perdite ragionevolmente prevedibili. Inoltre, il cliente ha diritto alla riparazione del prodotto o alla sua sostituzione se il prodotto stesso non risulta di qualità accettabile e il guasto non risulta di grave entità. I benefici offerti dalla Garanzia Fellowes si aggiungono agli altri diritti e rimedi previsti dalla legislazione pertinente al prodotto.

## NEDERLANDS

Levado™ In hoogte verstelbare bureaubasis

### VEILIGHEIDSINSTRUCTIES / WAARSCHUWINGEN:

#### WAARSCHUWING: BELANGRIJKE VEILIGHEIDSINSTRUCTIES – Lezen vóór gebruik!

- PAS OP: Risico bij tillen! Er zijn twee mensen nodig om het bureau te verplaatsen. Er kan ernstig letsel ontstaan.
- ZORG ERVOOR DAT HET MAXIMUMGEWICHT NIET WORDT OVERSCHREDEN. OVERSCHRIJDING KAN ERNSTIG LETSEL OF SCHADE AAN EIGENDOMMEN TOT GEVOLG HEBBEN.
- Gebruik het bureaublad niet als enig deel beschadigd of defect is.
- Plaats geen obstakels in het pad van het bureau.
- Plaats geen voorwerpen onder het bureau die hoger zijn dan 610 mm.
- Zorg ervoor dat het bureau aan alle kanten voldoende afstand heeft (minstens 25 mm) van omringende muren en voorwerpen.
- Ga niet op het bureau zitten of staan.
- Haal de poten, controlebox of controller niet uit elkaar. Er kan ernstig letsel ontstaan.
- Zorg ervoor dat alle kabels lang genoeg zijn om alle hoogteveranderingen uit te voeren en houd u aan de instructies voor kabelgeleiding in deze handleiding. Het niet volgen van deze instructies kan schade aan de apparatuur of letsel tot gevolg hebben.
- Houd vloeistoffen uit de buurt van de elektrische onderdelen. Reinig de elektrische onderdelen uitsluitend met een droge doek.
- Alleen voor gebruik binnenshuis.
- Houd de stroomkabel uit de buurt van warmtebronnen.
- Haal de stekker van het bureau uit het stopcontact voordat u dit verplaatst of onderhoudt.
- Verwijder alle apparatuur en toebehoren van het bureau alvorens het te verplaatsen.
- Houd kinderen uit de buurt van bewegende onderdelen en laat ze niet onder het bureau komen.

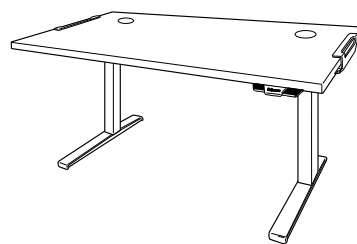
### GELEVERDE ONDERDELEN

- A Basis x1
- B Klem x2
- C Bedieningspaneel x1
- D Stroomkabel x1
- E Kabelgoot x1
- F Kabelgeleiding x4
- G 5 mm-inbussleutel x1
- H M6 Phillips-schroef met ronde kop x14
- I M3 Phillips-schroef met ronde kop x2
- J Klembedekking x2

Verder benodigde gereedschappen  
Phillips-schroevendraaier

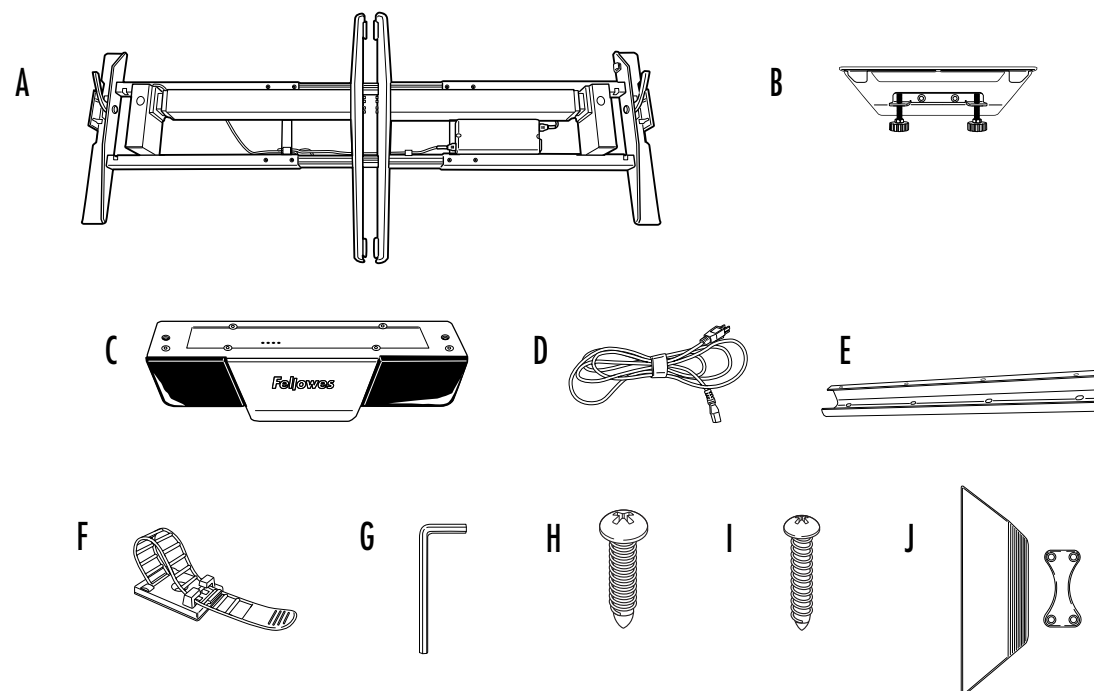
#### Maximumbelasting inclusief bureaublad

≤ 100 kg



Geschikt voor tafelbladen met de volgende afmetingen:

- Breedte: 1187 - 1816 mm
- Diepte: 700 - 800 mm
- Dikte: 19 - 31,75 mm

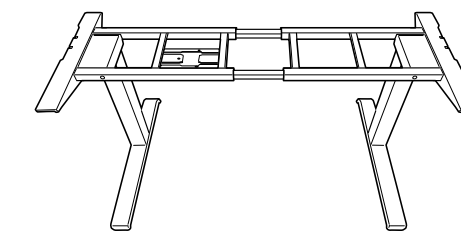
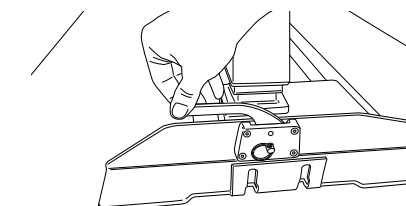
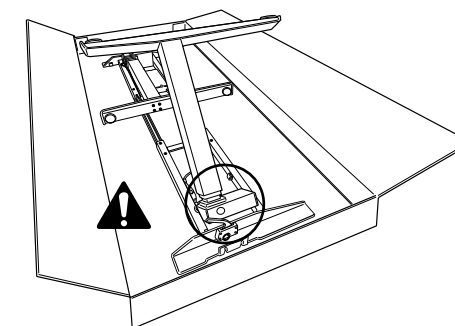


### INSTALLATIE-OPTIE 1 - KLEMMEN

#### STAP 1

##### Uitpakken

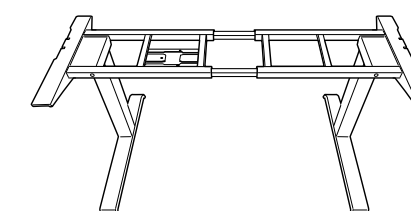
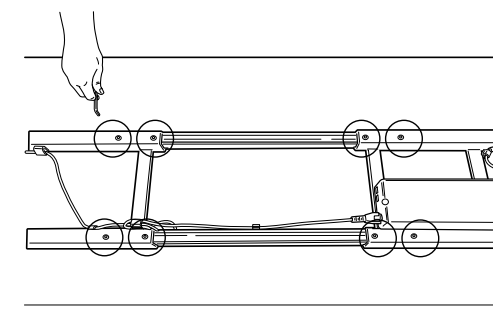
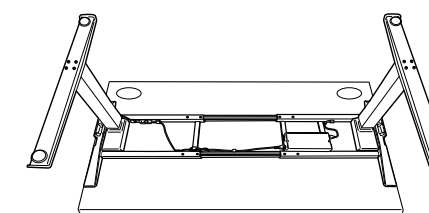
- Open de doos aan de bovenzijde.
- Zorg ervoor dat de hendels op de basis omhoog staan.
- Klap de poten uit totdat ze klikken. **WAARSCHUWING: Afknelrisico!** Houd handen en voorwerpen vrij tijdens het optillen van de poten.
- Vergrendel de poten in de juiste positie door de hendels omlaag te drukken.
- Optioneel: Als de poten moeten worden ingeklapt, dient u ervoor te zorgen dat de hendels omhoog staan en dat de stroom is afgesloten. Trek de pin uit en leid de poten zorgvuldig tot de ingeklapte positie.
- Gebruik twee personen om de basis rechtop te zetten.
- De basis is bij levering ingesteld voor bureaubladen van 1600 mm breed. Als uw tafelblad niet 1600 mm breed is, moet u de breedte van de basis aanpassen tussen 1187 – 1816 mm. Zie stap 1B. Zo niet, ga dan door met stap 2.



#### STAP 1B - Alleen nodig als het bureaublad niet 1600 mm breed is

Pas de dwarsverbinding aan voor de uiteindelijke lengtes

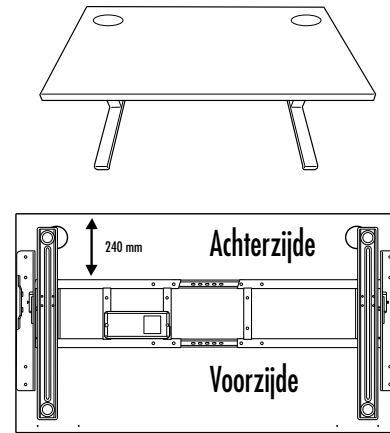
- Gebruik twee personen om het bureaublad op zijn kop op een zachte, schone ondergrond te plaatsen en plaats de basis op het bureaublad.
- Gebruik de 5 mm-inbussleutel om de (8) stelschroeven aan de binnenzijde van de dwarsverbinding los te maken.
- Verleng of verkort de dwarsverbinding tot deze gelijk ligt met de beide uiteinden van het bureau. Maak waar nodig kabels vrij om het mogelijk te maken het frame aan te passen.
- Zodra een en ander correct is afgesteld, gebruikt u de 5 mm-inbussleutel om de stelschroeven weer vast te zetten (8 in totaal).
- Gebruik twee personen om alleen de basis rechtop te zetten.



## STAP 2

Pas de positie van het frame aan voordat u dit aan het bureaublad bevestigt

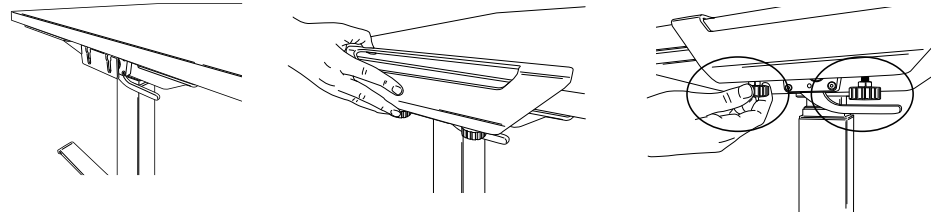
- Gebruik twee personen om het bureaublad op de basis te plaatsen.
- Controleer of de steunen voor het bureaublad aan weerszijden gelijk liggen met de uiteinden van dit bureaublad en dat ze zijn uitgelijnd met de voorgeboorde gaten in het bureaublad.
- De achterste dwarsverbinding zal voor 800 mm-bureaubladen 240 mm van de achterzijde van de tafel liggen.



## STAP 3

De basis aan het bureaublad klemmen

- Schuif de klemmen aan weerszijden van het bureaublad.
- Draai op elke klem de twee (2) duimschroeven aan tot deze klikken.

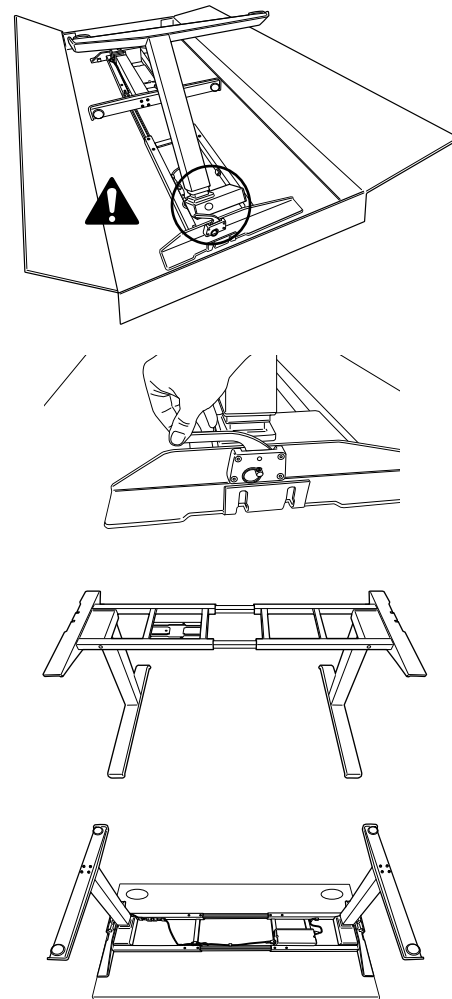


## INSTALLATIE-OPTIE 2 - HARDWARE

### STAP 1

Vorbereiding op installatie met twee personen

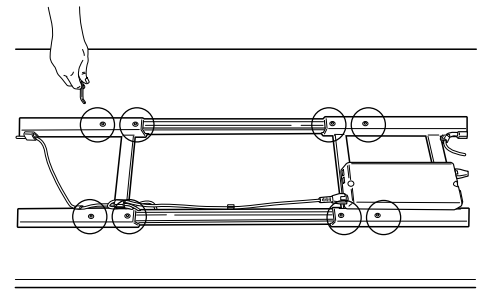
- Plaats het oppervlak van het bureaublad op een zachte, schone ondergrond.
- Zorg ervoor dat de hendels op de basis omhoog staan.
- Vouw de poten uit totdat ze klikken, **⚠ WAARSCHUWING: Afknelp risico!** Houd handen en voorwerpen vrij tijdens het optillen van de poten.
- Vergrendel de poten in de juiste positie door de hendels omlaag te drukken.
- Optioneel: Als de poten moeten worden ingeklapt, dient u ervoor te zorgen dat de hendels omhoog staan en dat de stroom is afgesloten. Trek de pin uit en breng de poten zorgvuldig tot de ingeklapte positie.
- Til de basis uit de doos en plaats deze op het bureaublad.
- De basis is bij levering ingesteld voor bureaubladen van 1600 mm breed. Als uw tafelblad niet 1600 mm breed is, moet u de breedte van de basis aanpassen tussen 1187 – 1816 mm. Zie stap 1B. Zo niet, ga dan door met stap 2.



## STAP 1B - Alleen nodig als het bureaublad niet 1600 mm breed is

Pas de dwarsverbindingen aan voor de uiteindelijke lengtes

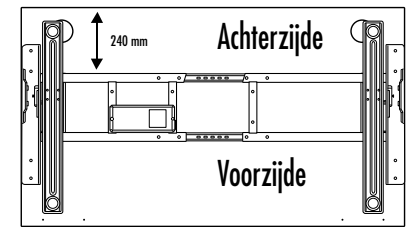
- Gebruik de 5 mm-inbussleutel om de (8) stelschroeven aan de binnenzijde van de dwarsverbinding los te maken.
- Verleng of verkort de dwarsverbinding tot deze gelijk ligt met de beide uiteinden van het bureau. Maak waar nodig kabels vrij om het mogelijk te maken het frame aan te passen.
- Zorg ervoor dat een en ander goed is uitgelijnd met de voorgeboorde gaten in het bureaublad.
- Zodra een en ander correct is afgesteld, gebruikt u de 5 mm-inbussleutel om de stelschroeven weer vast te zetten (8 in totaal).



## STAP 2

Pas de positie van het frame aan voordat u dit aan het bureaublad bevestigt.

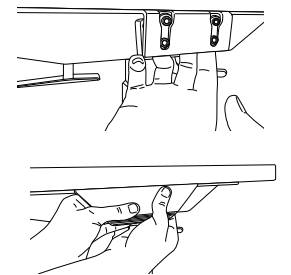
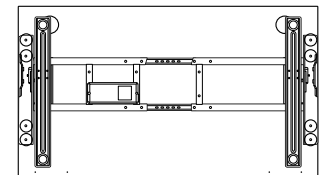
- Controleer of de steunen voor het bureaublad aan weerszijden gelijk liggen met de uiteinden van dit bureaublad en dat ze zijn uitgelijnd met de voorgeboorde gaten in het bureaublad.
- De achterste dwarsverbinding zal voor 800 mm-bureaubladen 240 mm van de achterzijde van de tafel liggen.



## STAP 3

De basis aan het bureaublad bevestigen

- Gebruik de M6 Phillips-schroeven met ronde kop (8 nodig in totaal) en een Phillips-schroevendraaier.
- De schroeven passen door geleiders in de bovenkant van de steunen. Zorg ervoor dat een en ander goed is uitgelijnd met de voorgeboorde gaten in het bureaublad.
- Gebruik twee personen om basis en bureaublad recht op te zetten.
- Bevestig klembevestigingen aan weerszijden. Begin door het kleinere deel aan de binnenzijde van de klembeugel te plaatsen. Lijn het grotere stuk uit en oefen druk uit om het vast te zetten.

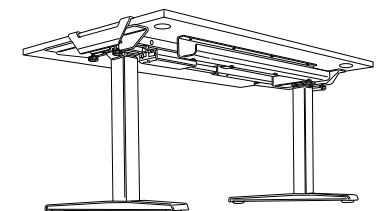
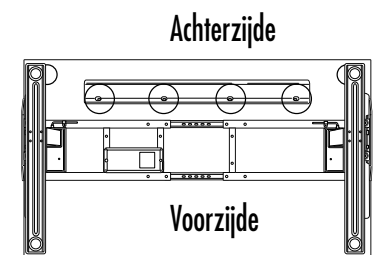


## INSTALLATIE TOEBEHOREN

### STAP 1

Kabelgeleiding

- Draai (4) Phillips-kopschroeven gedeeltelijk in de voorgeboorde gaten aan de achterkant van de tafel.
- Haak de sleuven van de kabelgoot aan de schroeven en schuif de goot om hem op zijn plaats te vergrendelen. (Let op: het open uiteinde van de kabelgoot moet naar de achterkant van de tafel wijzen.)
- Draai de (4) Phillips-kruiskopschroeven vast om de kabelgoot vast te zetten.
- Gebruik waar nodig de extra meegeleverde kabelgeleiding.
- Kabels mogen de werking van het bureau niet verhinderen.
- Kabels mogen de gebruiker niet hinderen.

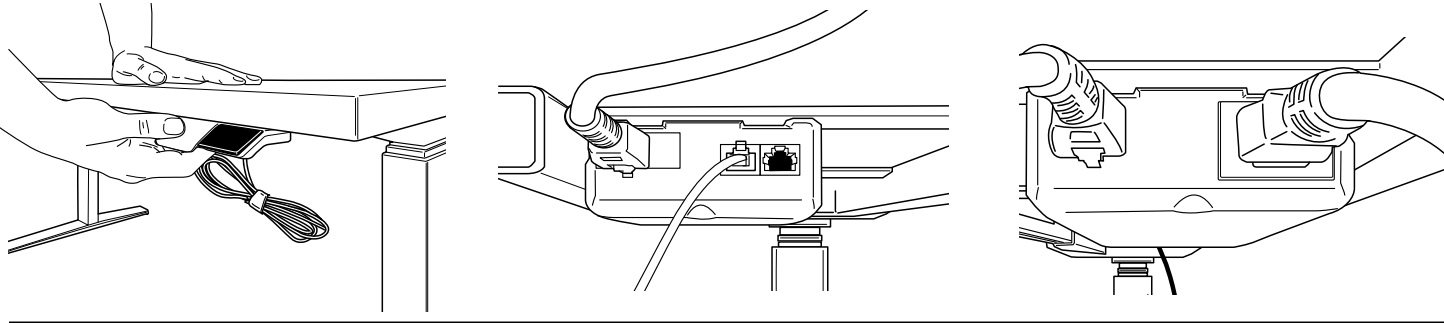




## STAP 2

Bevestig het bedieningspaneel met het bijgeleverde klittenband of gebruik twee M3 Phillips-schroeven met ronde kop

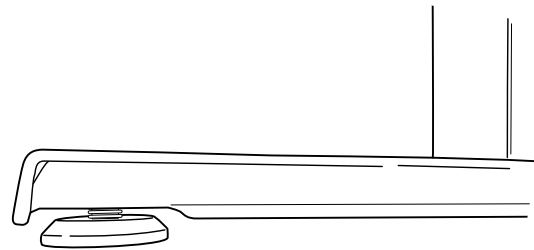
- Plaats het bedieningspaneel aan de linker- of rechterzijde van de tafel, al naar gelang de voorkeur van de gebruiker.
- Monteer het bedieningspaneel zodanig dat deze gelijk ligt met de voorrand van het bureau. Als M3-schroeven worden gebruikt voor bevestiging, dient u ervoor te zorgen dat het bedieningspaneel is uitgelijnd met de voorgeboorde gate in het bureaublad.
- Sluit het bedieningspaneel aan op de controller op de basis.
- Sluit de stroomkabel aan op de controller op de basis en op een stopcontact.



## STAP 3

Waterpas poten

- Als de tafel uit balans voelt, kunt u de (4) stelvoeten gebruiken die zich onder aan de poten bevinden
- Draai deze met de klok mee voor verlagen en tegen de klok in voor verhogen



## GEBRUIKSIJNSTRUCTIES

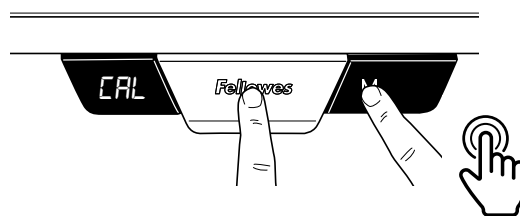
### INITIALISEER HET SYSTEEM

**WAARSCHUWING:** Een lichte aanraking is voldoende om de handset te bedienen. Oefen bij het laten zakken van de tafel lichte druk uit op het midden van de handset (Fellowes-logo). Te veel druk uitoefenen, trekken of duwen aan de onderkant van de handset kan het apparaat beschadigen.

**BELANGRIJK:** het initialisatieproces hieronder moet worden voltooid voordat u de tafel verstelt. Tijdens de initialisatiebewerking wordt CAL weergegeven en zal blijven staan totdat de procedure is voltooid.

**WAARSCHUWING:** Zorg ervoor dat er voldoende afstand is. Zorg ervoor dat alle voorwerpen vrij staan van het bureau

- Raak het Fellowes-logo en de M-knoppen tegelijkertijd lichtjes aan voor 10-15 seconden.
- De poten zullen neerwaarts gaan bewegen met de helft van de normale snelheid.
- Blijf de knop en hendel ingedrukt houden.
- De poten zullen naar de laagste stand gaan en dan 2 mm tot 5 mm terugspringen, waarna ze stoppen. Dit kan 10-45 seconden duren, afhankelijk van de dikte van het tafelblad.
- Laat knop en hendel tegelijk los. Hiermee is de initialisatieprocedure voltooid.
- Als initialisatie is gestart maar niet is voltooid, zal het bureau niet werken. U moet het initialisatieprocedures afronden.



## ALGEMENE WERKING

Beweeg de tafel omhoog of omlaag door uw vinger lichtjes op de boven- of achterkant van de handset te houden totdat het werkoppervlak de gewenste hoogte heeft bereikt.

Het bureaublad zal omhoog of omlaag blijven bewegen tot u de knop loslaat of tot de maximale of minimale hoogte is bereikt.

## STOPPOSITIES GEHEUGEN

Er zijn twee groepen geheugeninstellingen, elk met twee hoogte-instellingen. U kunt tussen de twee gebruikers overschakelen door kort op de knop M te drukken. De display zal U1 (gebruiker 1) of U2 (gebruiker 2) weergeven. Er kunnen maximaal vier geheugen-stopposities worden gebruikt om specifieke hoogtes van het werkoppervlak op te slaan. U slaat als volgt een specifieke positie op:

Verhoog of verlaag het bureau naar de positie die u wilt opslaan.

Raak lichtjes de M-knop aan voor twee seconden en het led-display zal gaan knipperen. Dit betekent dat de hoogte is opgeslagen. U kunt de opgeslagen instellingen wissen door de M-knop lichtjes aan te raken voor 8 seconden tot CLR wordt weergegeven.

## DE WERGAVE-EENHEDEN VOOR HOOGTE WIJZIGEN

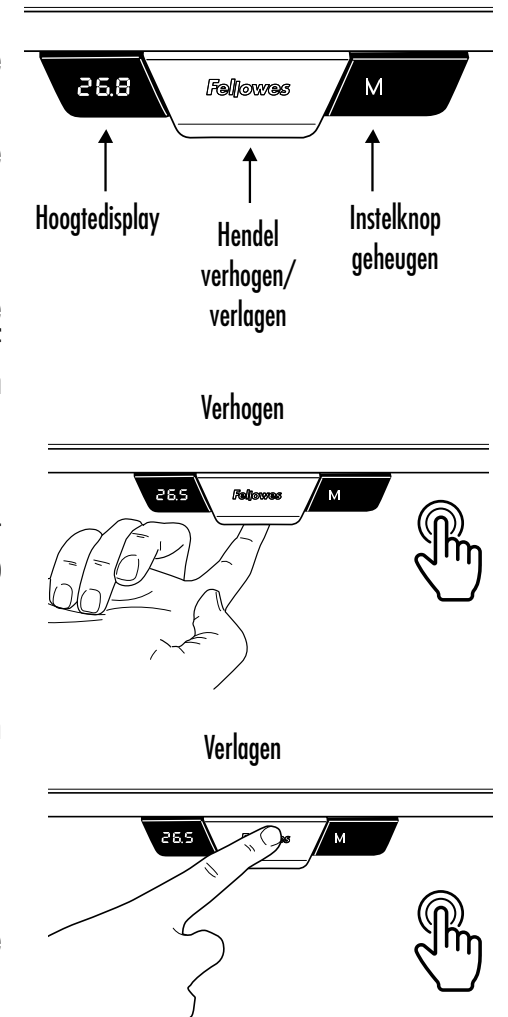
Deze functie stelt u ertoe in staat de weergegeven eenheden over te schakelen tussen inches en centimeters.

Raak omhoog en omlaag tegelijkertijd lichtjes aan voor 10 seconden.

## HET SYSTEEM TERUGZETTEN NAAR DE FABRIEKINSTELLINGEN

Volg dezelfde instructies als 'initialiseer het systeem' om de handset terug te zetten naar de fabriekinstellingen.

Bij een foutmelding of bij stroomuitval moet u het systeem resetten.



## BEPERKTE GARANTIE FELLOWES LEVADO™ IN HOOGTE VERSTELBAARE BUREAUBASIS

Fellowes, Inc (het "Bedrijf") garandeert dat de Levado™ In hoogte verstelbare bureaubasis ("Product") gedurende de hierna uiteengezette periode vrij blijft van materiaal- en productiefouten.

Het structurele frame gedurende een periode van vijftien (15) jaar na de oorspronkelijke aanschafdatum van het product.

Alle elektrische onderdelen gedurende een periode van zeven (7) jaar na de oorspronkelijke aanschafdatum van het product.

Deze garantie is alleen van toepassing op degene die het product oorspronkelijk koopt en biedt geen dekking voor claims die voortkomen uit verkeerd gebruik, het niet volgen van instructies over installatie en gebruik, verwaarlozing, gebruik van niet-geautoriseerde accessoires, commercieel gebruik, gebruik bij een stroomsterkte of voltage anders dan vermeld op het product, of ongeautoriseerd onderhoud gedurende de garantietermijn voor problemen die anders onder de garantie vallen.

DE DUUR VAN ALLE IMPLICIETE GARANTIES, INCLUSIEF MAAR NIET BEPERKT TOT ENIGE IMPLICIETE GARANTIES VAN VERKOOPBAARHEID OF GESCHIKTHEID VOOR EEN BEPAALD DOEL, BLIJFT EXPLICIET BEPERKT TOT DE DUUR VAN DEZE BEPERKTE GARANTIE.

TENZIJ ANDERSZINS VEREIST ONDER HET TOEPASSELIJKE RECHT, IS HET EXCLUSIEVE VERHAAL VAN DE KLANT VOOR INBREUK OP DEZE GARANTIE OF ENIGE IMPLICIETE GARANTIE OF VOOR ENIGE ANDERE VERPLICHTING DIE VOORTKOMT UIT DE WERKING VAN HET RECHT OF ANDERSZINS, BEPERKT ZOALS HIER UITEENGEZET TOT REPARATIE, VERVANGING OF RESTITUTIE VAN DE AANKOOPPRIJS, DIT NAAR EIGEN INZICHT VAN HET BEDRIJF.

HET BEDRIJF, AAN HET BEDRIJF GELIEERDE BEDRIJVEN, DOCHTERONDERNEMINGEN, GERELATEERDE ENTITEITEN, WEDERVERKOPERS OF HUN RESPECTIEVE LEIDINGGEVENDEN, DIRECTEUREN OF WERKNEMERS OF DIE PERSONEN WAARVOOR ZIJ WETTELIJK VERANTWOORDELIJK ZIJN, ZIJN IN GEEN GEVAL AANSPRAKELIJK VOOR GEVOLGSCHADE OF INCIDENTELE SCHADE DIE IS GELEDEN IN VERBAND MET HET PRODUCT. HET BEDRIJF EN DEZE ANDERE PARTIJEN AANVAARDEN GEEN VERPLICHTING OF AANSPRAKELIJKHEID ANDERS DAN EXPLICIET HIERIN UITEENGEZET, NOCH AUTORISEREN ZIJ EEN VERTEGENWOORDIGER OF ANDERE PERSOON ERTOE DIT VOOR HEN TE AANVAARDEN.

De duur en voorwaarden van deze garantie zijn wereldwijd van kracht, behalve daar waar de plaatselijke wetgeving andere beperkingen of voorwaarden vereist.

Alleen voor inwonenden van Australië:

Onze producten worden gedekt door garanties die onder de Australische consumentenwetgeving niet kunnen worden uitgesloten. U hebt recht op vervanging of restitutie in het geval van een significant defect of als compensatie voor eventuele andere redelijk voorzienbare verliezen of schade. U hebt tevens recht op reparatie of vervanging van het product/de producten indien het/ze niet van aanvaardbare kwaliteit is/zijn en de storing niet van aanzienlijke aard is. De vergoedingen onder de Fellowes Garantie zijn een aanvulling op overige rechten en maatregelen onder een wetgeving ten aanzien van het product.



SÄKERHETSANVISNINGAR/VARNING

VARNING: VIKTIGA SÄKERHETSANVISNINGAR — Läs före användning!

- FÖRSIKTIGHET: Lyfrisk! Det krävs två personer för att flytta skrivbordet. Allvarlig skada kan inträffa.
- ÖVERSKRID EJ DEN MAXIMALA VIKTKAPACITETEN. ALLVARLIG PERSONSKADA ELLER MATERIALSKADA KAN UPPSTÅ.
- Använd inte bordet om någon del är skadad eller har defekter.
- Placera inte hinder i vägen för skrivbordet.
- Placera inte föremål under skrivbordet som är högre än 610 mm.
- Se till att det finns tillräckligt med ledigt utrymme på alla sidor av skrivbordet (minst 25 mm), mellan skrivbordet och omgivande väggar eller föremål.
- Sitt eller stå inte på skrivbordet.
- Demontera ej benen, kontrolldosan eller kontrollenheten. Allvarlig skada kan inträffa.
- Se till att alla sladdar är tillräckligt långa, för alla höjdställningar, och följ instruktionerna för kabeldragning i denna bruksanvisning. Underlåtenhet att följa dessa instruktioner kan leda till skada på utrustning eller personskada.
- Håll alla elektriska komponenter borta från vätska. Använd dig endast av en torr trasa när du rengör elektriska komponenter.
- Endast för inomhusanvändning.
- Håll strömsladden på avstånd från värmekällor.
- Koppla ur skrivbordet innan det flyttas eller repareras.
- Avlägsna all utrustning och alla tillbehör från skrivbordet innan du flyttar det.
- Håll barn borta från rörliga delar och se till att de inte sitter under skrivbordet.

Maximal vikt inklusive bordsskiva

≤ 100 kg  
≤ 220 lbs

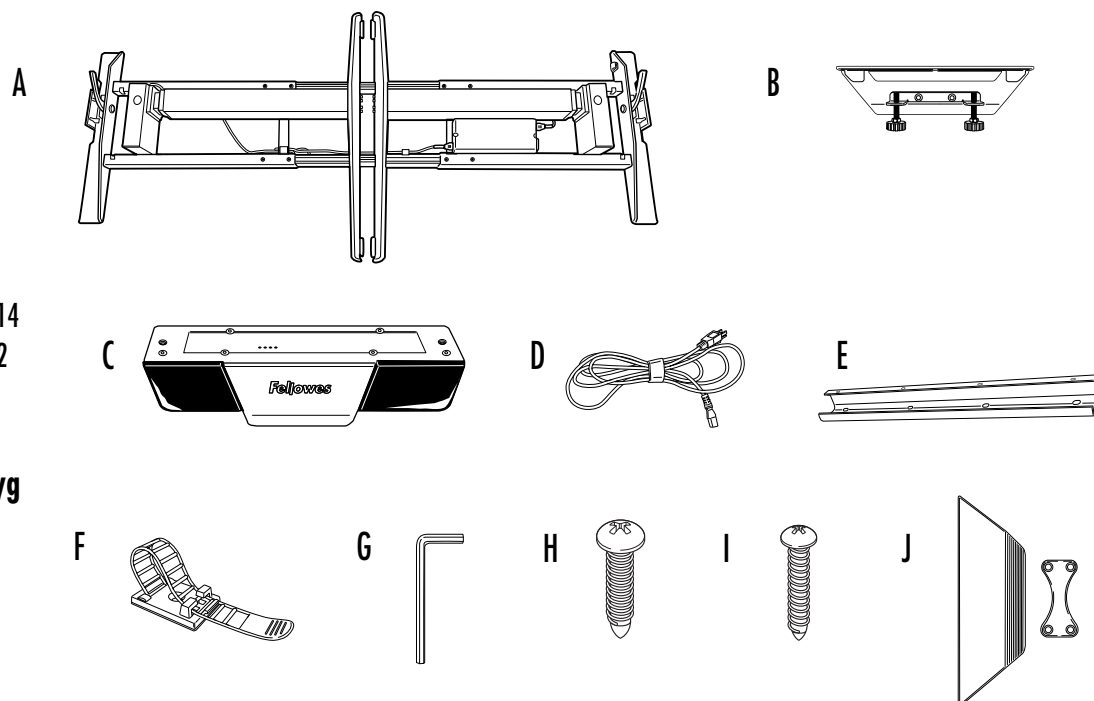


Passar bordsskivor med följande mått:

- Bredd: 1 187 - 1 816 mm
- Djup: 700 - 800 mm
- Tjocklek: 19 - 31,75 mm

MEDFÖLJANDE DELAR

- A Bas x1
- B Klämma x2
- C Handenhet x1
- D Strömsladd x1
- E Kabelstege x1
- F Kabelhanteringsverktyg x4
- G Insexnyckel på 5 mm x1
- H M6-krysskruv med rund skalle x14
- I M3-krysskruv med rund skalle x2
- J Klämskydd x2



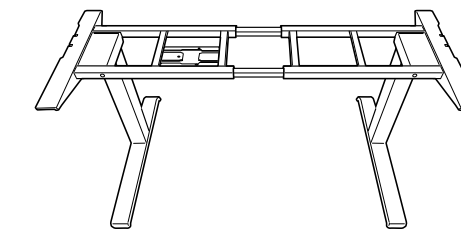
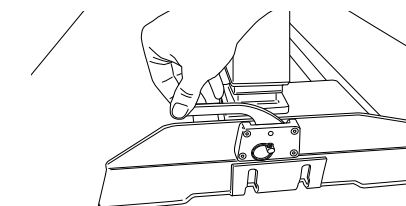
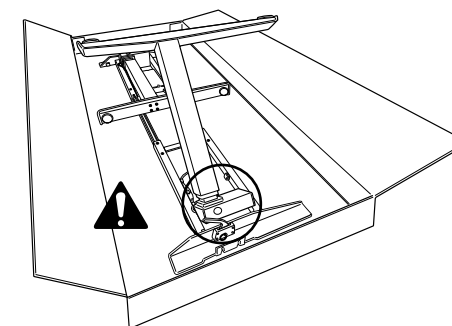
Ytterligare nödvändiga verktyg  
Kryssmejsel

INSTALLATIONSALTERNATIV 1 - KLÄMMOR

STEG 1

Uppackning

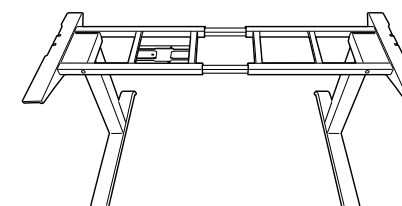
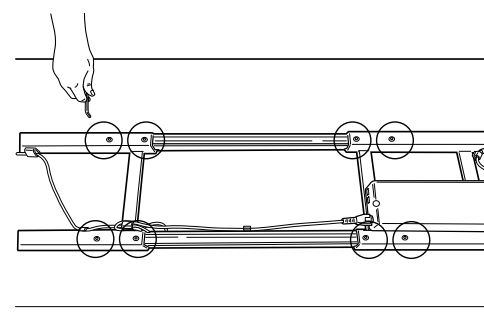
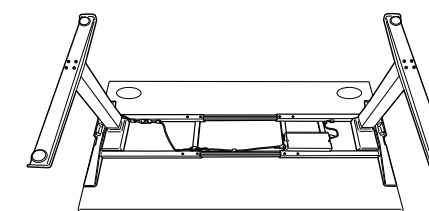
- Öppna kartongen från ovasidan.
- Se till att basens spakar är i upprätt läge.
- Veckla ut benen tills de klickar. **! VARNING: Klämpunkt! Håll händer och föremål borta när du lyfter benen.**
- Lås fast benen på plats genom att trycka ner på spakarna.
- Frivilligt: Om benen behöver vecklas ihop, se till att spaken är i upprätt läge och att strömmen är urkopplad. Dra ut tappen och flytta försiktigt benen till ihopvecklat läge.
- Två personer bör hjälpas åt för att vända basen så att den är upprätt.
- Vid leverans är basen inställd så att den passar bord som är 1600 mm breda. Om ditt bord inte är 1600 mm (63 tum) brett måste justera basens bredd till mellan 1187 mm och 1816 mm (47-71,5 tum). Se steg 1B, eller fortsätt annars till steg 2.



STEG 1B - Krävs endast om bordet inte är 1600 mm brett.

Justera korskanalerna till deras slutliga längd

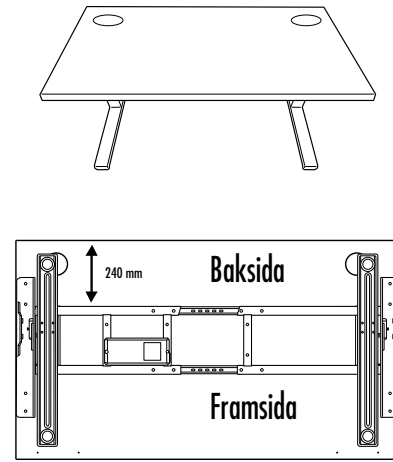
- Två personer bör hjälpas åt för att placera bordet med ovasidan nedåt på en mjuk och ren yta, och placera basen på bordet.
- Använd insexnyckeln på 5 mm för att lossa på de (8) låsskruvarna på korskanalernas inre sida.
- Förläng eller förkorta korskanalerna tills de är i jämnhöjd med skrivbordets båda ändar. Lösgör så mycket sladd som du behöver för att möjliggöra justering av ramen.
- När justeringen har genomförts ordentligt använder du insexnyckeln på 5 mm för att återigen dra åt låsskruvarna (sammanlagt 8).
- Två personer bör hjälpas åt för att vända endast basen upprätt.



## STEG 2

Justera ramens läge innan du fäster den vid bordet

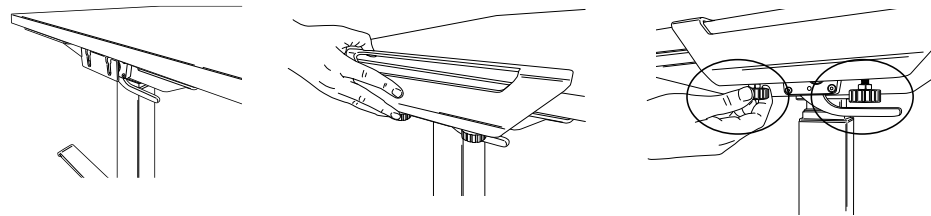
- Två personer bör hjälpas åt för att placera bordet ovanpå basen.
- Kontrollera att bordsskivans stöd på båda sidorna är i jämnhöjd med skrivbordets båda ändar, och justera dem så att de är inriktade mot de förborrade hålen på skrivbordet.
- Den bakre korskanalen ska vara 240 mm för bordsskivor med ett djup på 800 mm, uppmätt från bordets baksida.



## STEG 3

Kläm fast basen vid bordet

- Glid klämmorna på båda sidorna av bordet.
- Dra åt de (2) tumskruvarna på varje klämma tills de klickar.

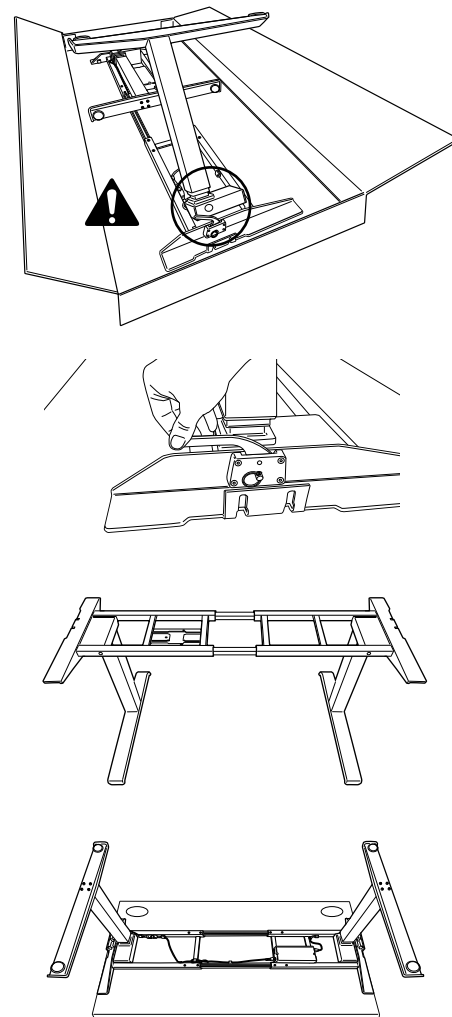


## INSTALLATIONSALTERNATIV 2 - HÅRDVARA

### STEG 1

Förbered för installation med två personer

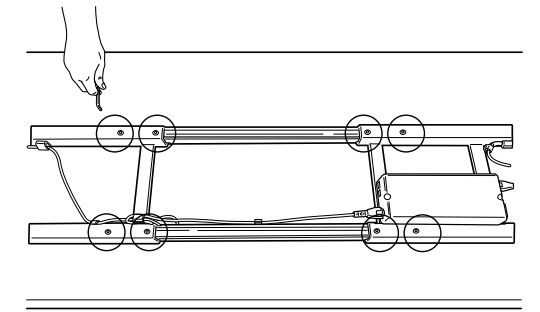
- Placera bordet med ovansidan nedåt på en mjuk, torr yta.
- Se till att basens spakar är i upprätt läge.
- Veckla ut benen tills de klickar, **! WARNING: Klämpunkt! Håll händer och föremål borta när du lyfter benen.**
- Lås fast benen på plats genom att trycka ner på spakarna.
- Frivilligt: Om benen behöver vecklas ihop, se till att spaken är i upprätt läge och att strömmen är urkopplad. Dra ut tappen och flytta försiktigt benen till ihopvecklat läge.
- Lyft ut basen ur kartongen och placera den på bordet.
- Vid leverans är basen inställd så att den passar bord som är 1600 mm breda. Om ditt bord inte är 1600 mm (63 tum) brett måste justera basens bredd till mellan 1187 mm och 1816 mm (47-71,5 tum). Se steg 1B, eller fortsätt annars till steg 2.



## STEG 1B - Krävs endast om bordet inte är 1600 mm brett.

Justera korskanalerna till deras slutliga längd

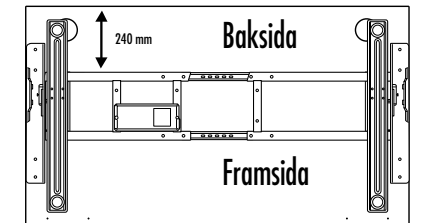
- Använd insexnyckeln på 5 mm för att lossa på de (8) låsskruvarna på korskanalernas inre sida.
- Förläng eller förkorta korskanalerna tills de är i jämnhöjd med skrivbordets båda ändar. Lösgör så mycket sladd som du behöver för att möjliggöra justering av ramen.
- Se till att skruvarna är inriktade ordentligt mot de förborrade hålen på skrivbordet.
- När justeringen har genomförts ordentligt använder du insexnyckeln på 5 mm för att återigen dra åt låsskruvarna (sammanlagt 8).



## STEG 2

Justera ramens läge innan du fäster den vid bordet.

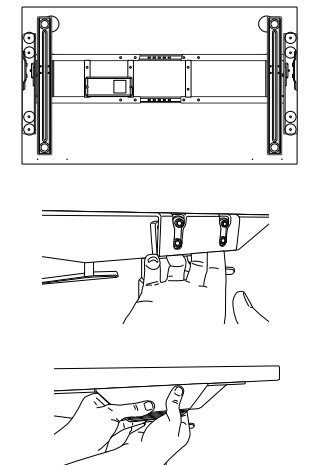
- Kontrollera att bordsskivans stöd på båda sidorna är i jämnhöjd med skrivbordets båda ändar, och justera dem så att de är inriktade mot de förborrade hålen på skrivbordet.
- Den bakre korskanalen ska vara 240 mm för bordsskivor med ett djup på 800 mm, uppmätt från bordets baksida.



## STEG 3

Fäst basen vid bordet

- Använd dig av M6-krysskruvar med rund skalle (sammanlagt 8 krävs) och en kryssmejsel.
- Skruvarna passar in i styrlinjerna på ovansidan av stöden. Se till att skruvarna är inriktade ordentligt mot de förborrade hålen på skrivbordet.
- Två personer bör hjälpas åt för att vända basen och bordet upprätt.
- Sätt fast klämskydd på varje sida. Börja med att placera den mindre sidan på klämhållarens insida. Rikta in den större delen ordentligt och tryck för att säkra den.

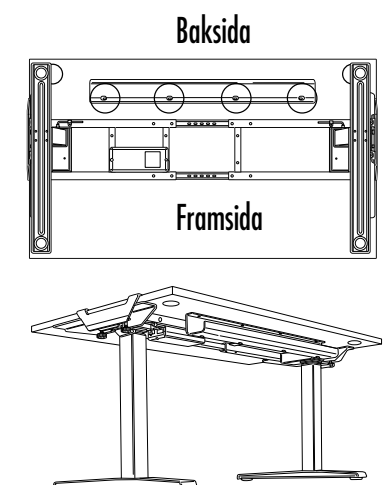


## INSTALLATION AV TILLBEHÖR

### STEG 1

Kabelhantering

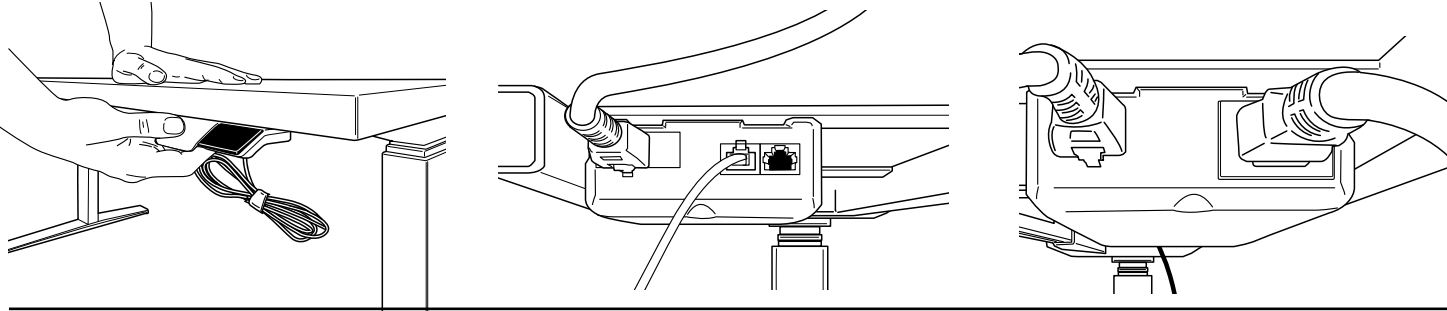
- Skruva delvis in (4) stjärnskruvar i de förborrade hålen på baksidan av bordet.
- Haka fast kabelkorgens upphängningshål på skruvarna och skjut facket så att det låses in på plats. (Obs! Kabelkorgens öppna ände ska vara vänd mot bordets baksida.)
- Dra åt (4) stjärnskruvarna för att fästa kabelkorgen.
- Använd de andra medföljande kabelhanteringsverktygen enligt behov.
- Kablarna får ej göra det svårt att använda bordet.
- Kablarna får ej vara i vägen för användaren.



## STEG 2

Fäst handenheten med hjälp av de medföljande klisterremarna eller med hjälp av två M3-krysskruvar med rund skalle

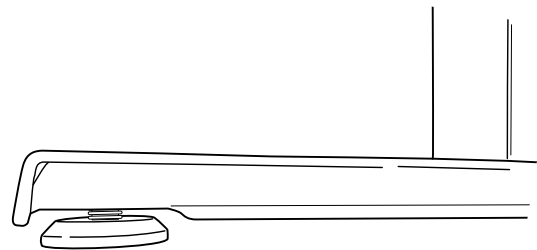
- Positionera handenheten på bordets vänstra eller högra sida, enligt användarens preferens.
- Montera handenheten så att den är i jämnhöjd med bordets framkant. Om du använder dig av M3-krysskruvar för att fästa handenheten bör du se till att handenheten justeras så att de är inriktad mot de förborrade hålen på skrivbordet.
- Koppla in handenheten i kontrollenheten på basen.
- Koppla in strömsladden i kontrollenheten på basen samt i ett eluttag.



## STEG 3

Justera fötternas höjd

- Om bordet inte verkar vara balanserat justerar du de (4) nivelleringsplattorna på fötternas undersida
- Vrid medurs för att sänka och moturs för att höja



## ALLMÄN DRIFT

För att höja eller sänka bordet, håll fingret försiktigt på ovsidan eller baksidan av handenheten tills dess att arbetsytan når önskad höjd.

Bordet kommer att fortsätta att flytta sig upp eller ner tills du släpper knappen eller tills högsta eller lägsta höjd har nåtts.

## MINNESLAGRADE STOPPLÄGEN

Det finns två grupper av minnesinställningar, var och en med två höjdinställningar. För att tillfälligt växla mellan två användare trycker du på M-knappen. Displayen visar då U1 eller U2. Upp till fyra minneslagrade stopplägen kan användas för att spara specifika höjder för arbetsytan. För att ställa in ett specifikt läge:

Höj eller sänk bordet till läget som du vill spara.

Tryck försiktigt på M-knappen och håll den intryckt i två sekunder. LED-displayen kommer börja blinka. Detta betyder att läget har sparats. För att rensa sparade inställningar trycker du försiktigt på M-knappen och håller den intryckt i 8 sekunder, tills dess att CLR visas.

## ÄNDRING AV HÖJDDISPLAYENS ENHET

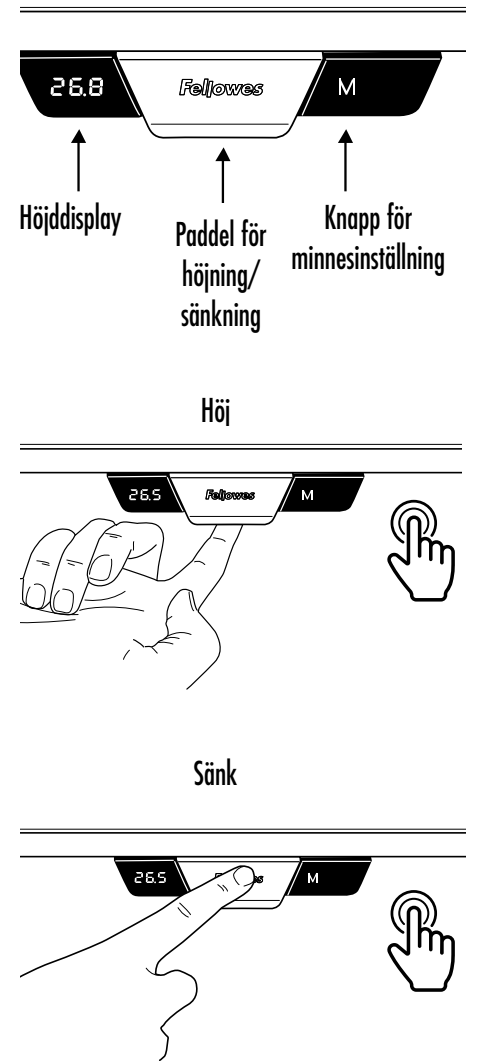
Denna funktion låter dig ställa om displayens enhet från tum till centimeter.

Tryck försiktigt in upp- och ner-knapparna och håll ner dem intryckta tillsammans under 10 sekunder.

## ÅTERSTÄLL SYSTEMET TILL DESS FABRIKINSTÄLLNINGAR

För att återställa handenheten till dess fabriksinställningar, följ samma instruktioner som för att "Initiera systemet".

Återställ systemet vid ett felmeddelande eller efter ett ev. strömavbrott.



## ANVÄNDNINGSPROCEDUR

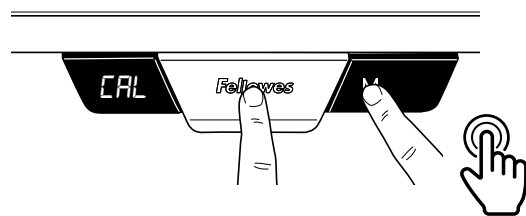
### INITIERA SYSTEMET

**VARNING:** Endast lätt beröring krävs för att använda handenheten. För att sänka bordet, tryck lätt mitt på handenheten (Fellowes-logotypen). Vid för hårt tryck, dragning eller tryck på handenhetens nedre del kan enheten skadas.

**VIKTIGT:** Nedanstående initieringsförfarande måste genomföras innan bordet används. Under initieringsförfarandet visas CAL och fortsätter visas under hela förfarandet.

**OBS!** Se till att det finns tillräckligt med ledigt utrymme. Se till att inga föremål är i vägen för bordet.

- Tryck lätt på Fellowes-logotypen och M-knapparna samtidigt under 10-15 sekunder.
- Benen kommer att börja röra sig nedåt hälften så snabbt som vid ordinarie drift.
- Fortsätt att hålla ner knapparna.
- Benen kommer att sänkas till det lägsta läget, och sedan höjas tillbaka mellan 2 mm och 5 mm, varefter de stannar. Detta tar 10-45 sekunder, beroende på bordsskivans tjocklek.
- Släpp båda knapparna samtidigt. Detta fullbordar initieringsförfarandet.
- Om initieringen påbörjas men inte fullbordas kommer bordet inte att fungera. Du måste fullborda initieringsförfarandet



## BEGRENSAD GARANTI FÖR FELLOWES LEVADO™ HÖJDJUSTERBAR SKRIVBORDSBAS

Fellowes, Inc. ("Företaget") garanterar att Levado™ höjdjusterbar skrivbordsbas ("Produkten") är fri från fel med avseende på material och utförande under den tidsperiod som specificeras nedan.

- Den strukturella ramen garanteras under en period på femton (15) år, räknat från datumet när produkten ursprungligen inhandlades.
- Alla elektriska komponenter garanteras under en period på sju (7) år, räknat från datumet när produkten ursprungligen inhandlades.

Garantin gäller endast den ursprungliga inköparen och täcker ej anspråk som uppstår till följd av missbruk, underlåtenhet att följa instruktionerna vid installation och användning, försumelse, användning av ej godkända tillbehör, kommersiell användning, användning vid en strömstyrka eller spänning som ej motsvarar den som specificeras på produkten, eller obehörig service under garantiperioden på villkor som i övrigt täcks av garanti.

LÄNGDEN PÅ EVENTUELLA UNDERFÖRSTÅDDA GARANTIER, DÄRIBLAND EVENTUELLA GARANTIER AVSEENDE MARKNADSFÖRBARHET ELLER LÄMPLIGHET FÖR ETT VISST SYFTE, BEGRÄNSAS UTTRYCKLIGEN TILL VARAKTIGHETEN FÖR DENNA BEGRÄNSADE GARANTI.

SÄVID ANNAT EJ STIPULERAS I TILLÄMPLIG LAG SKA KUNDENS EXKLUSIVA RÄTTSMEDEL FÖR BROTT MOT DENNA GARANTI ELLER ANNAN UNDERFÖRSTÅDD GARANTI, ELLER NÅGON ANNAN SKYLDIGHET SOM HÄRRÖR FRÅN LAG ELLER HAR ANNAN GRUND, BEGRÄNSAS, ENLIGT VAD SOM STIPULERAS HÄRI, TILL REPARATION, ERSÄTTNING ELLER ÅTERBETALNING AV INKÖPSPRISET EFTER FÖRETAGETS OMDÖME.

FÖRETAGET, DESS FILIALER, DOTTERBOLAG, NÄRSTÄNDE ENHETER, ÅTERFÖRSÄLJARE, DERAS RESPEKTIVE TJÄNSTEMÄN, DIREKTÖRER ELLER ANSTÄLLDA, ELLER DE PERSONER FÖR VILKA DE ANSVARAR ENLIGT LAG, SKA UNDER INGA OMSTÄNDIGHETER HA ANSVARSSKYLDIGHET FÖR FÖLJDSKADOR ELLER INDIREKTA SKADOR SOM UPPSTÅR I SAMBAND MED PRODUKTEN. FÖRETAGET OCH DESSA ANDRA PARTER ÅTAR SIG EJ, OCH GER INTE HELLER NÅGON REPRESENTANT ELLER ANNAN PERSON BEHÖRIGHET ATT ÅTA SIG, NÅGON SKYLDIGHET ELLER NÅGOT ANSVAR ANNAT ÄN VAD SOM UTTRYCKLIGEN STIPULERAS HÄRI.

Villkoren och varaktigheten för denna garanti gäller överallt utom där lagstiftningen ställer andra begränsningar eller villkor.

Enbart för konsument i Australien:

Våra varor kommer med garantier som inte kan uteslutas under australiska konsumentlagar. Du har rätt till ersättningsprodukt eller återbetalning vid större fel och till kompensation för eventuella andra rimliga förluster eller skador. Du har även rätt till att få produkten reparerad eller utbytt om produkten inte är av acceptabel kvalitet och felet inte anses vara ett större fel. Förmånerna under Fellowes garanti gäller i tillägg till andra rättigheter och rättsliga åtgärder förknippade med den här produkten.

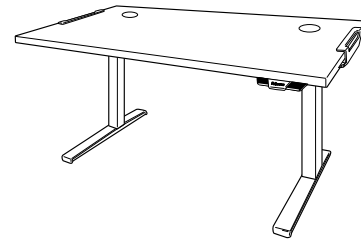
**INSTRUKCJE BEZPIECZEŃSTWA / OSTRZEŻENIE**

**OSTRZEŻENIE: WAŻNE WSKAZÓWKI DOTYCZĄCE BEZPIECZEŃSTWA — przeczytać przed użyciem!**

- PRZESTROGA: ryzyko związane z podnoszeniem! Biurko powinny przenosić dwie osoby. Nieprzestrzeganie tego zalecenia może prowadzić do poważnych obrażeń.
- NIE PRZEKRACZAĆ MAKSYMALNEGO OKREŚLONEGO OBCIĄŻENIA. NIEPRZESTRZEGANIE TEGO ZALECENIA MOŻE PROWADZIĆ DO POWAŻNYCH OBRAŻEŃ LUB USZKODZENIA MIENIA.
- Nie korzystać z biurka, jeśli którakolwiek z części jest wadliwa lub uszkodzona.
- Nie umieszczać przeszkód przed biurkiem.
- Nie umieszczać pod biurkiem obiektów wyższych niż 610 mm (24").
- Upewnić się, że z każdej strony biurka pozostawiono wystarczający odstęp (co najmniej 25 mm (1")) od otaczających je ścian i obiektów.
- Nie siadać ani nie stawać na biurku.
- Nie demontować nóżek, skrzynki sterowniczej ani sterownika. Nieprzestrzeganie tego zalecenia może prowadzić do poważnych obrażeń.
- Upewnić się, że wszystkie przewody są wystarczająco długie, by można było regulować wysokość biurka w pełnym zakresie, a także przestrzegać podanych w niniejszej instrukcji zaleceń dotyczących układania przewodów. Niezastosowanie się do tych zaleceń może prowadzić do uszkodzenia sprzętu lub obrażeń ciała.
- Trzymać płyny z dala od wszelkich elementów elektrycznych. Elementy elektryczne czyścić wyłącznie suchą szmatką.
- Biurko jest przeznaczone tylko do użytku w zamkniętych pomieszczeniach
- Przewód zasilający trzymać z dala od źródeł ciepła.
- Wyciągnąć wtyczkę biurka przed jego przenoszeniem lub serwisowaniem.
- Przed przystąpieniem do przenoszenia biurka usunąć z niego cały sprzęt i wszystkie akcesoria.
- Trzymać dzieci z dala od ruchomych części i przestrzeni pod biurkiem.

Maksymalna masa z blatem

≤ 100 kg  
≤ 220 lbs

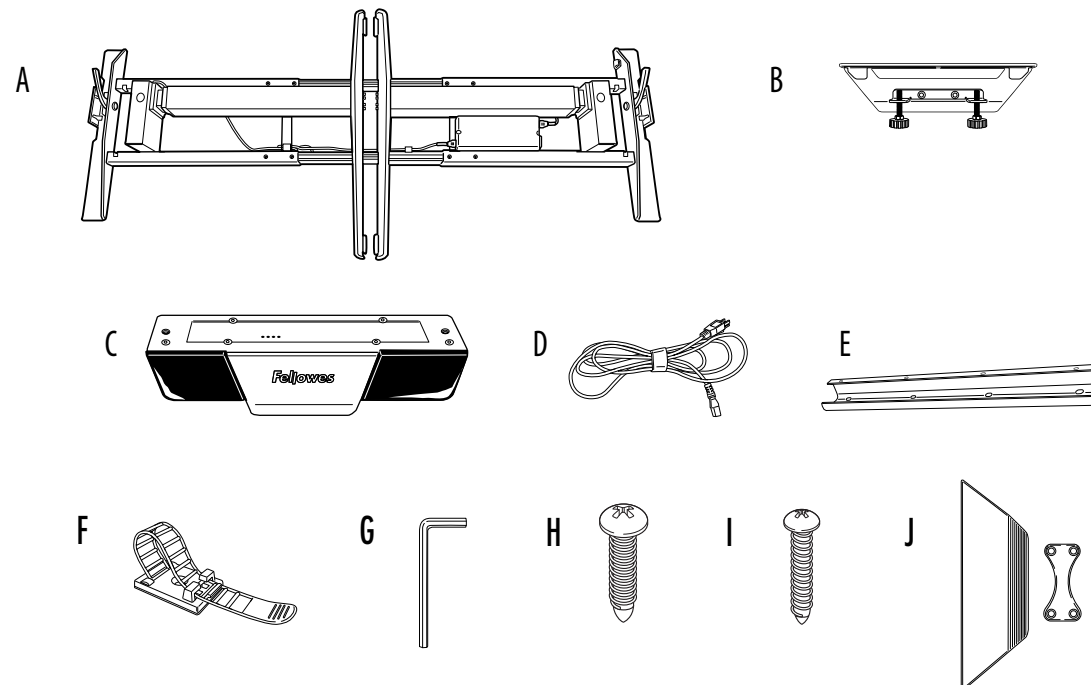


Pasuje do blatów o następujących wymiarach:

- Szerokość: 1187 – 1816 mm
- Głębokość: 700 – 800 mm
- Grubość: 19 – 31,75 mm

**CZĘŚCI ZNAJDUJĄCE SIĘ W ZESTAWIE**

- A Podstawa x1
- B Zacisk x2
- C Panel sterowania x1
- D Przewód zasilający x1
- E Korytka kablowe x1
- F System zarządzania okablowaniem x4
- G Klucz imbusowy 5 mm x1
- H Śruba krzyżakowa M6 z łbem okrągłym x14
- I Śruby krzyżakowe M3 z łbem okrągłym x2
- J Pokrywy zacisków x2



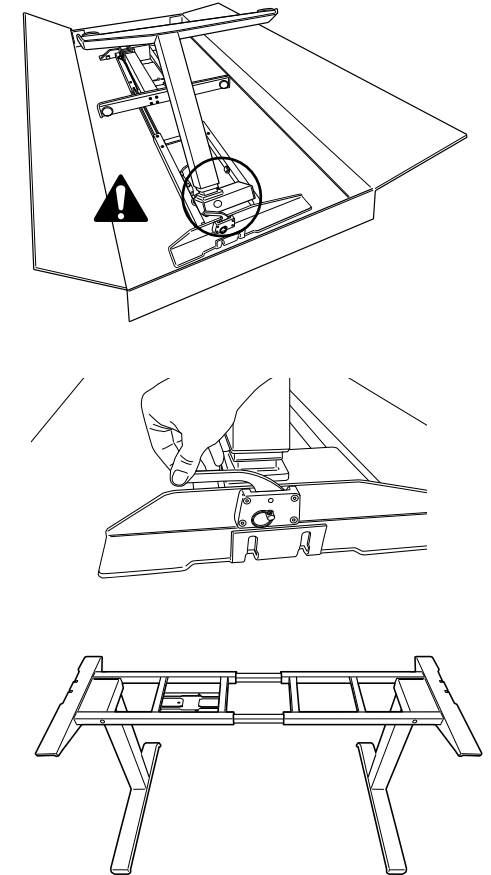
**Wymagane dodatkowe narzędzia**  
Wkrętak z grotem typu Phillips

**MONTAŻ, OPCJA 1 – ZACISKI**

**KROK 1**

Rozpakowywanie

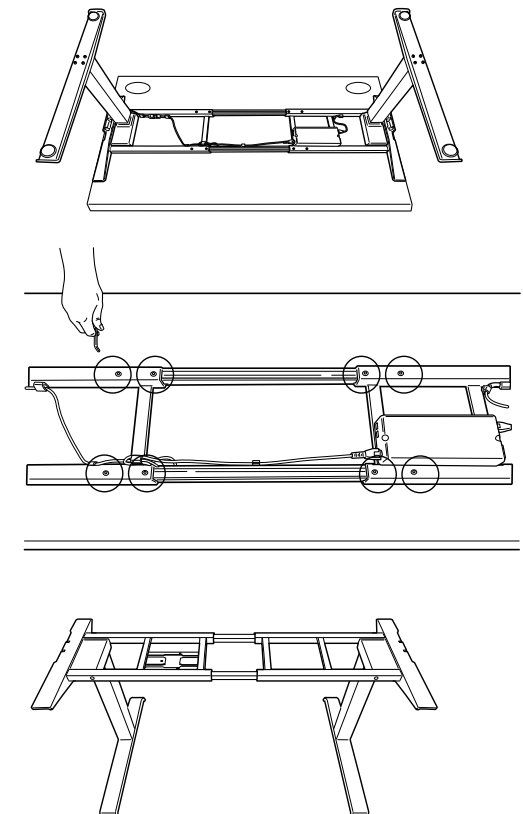
- Otworzyć pudełko od góry.
- Upewnić się, że dźwignie na podstawie są umieszczone w położeniu pionowym.
- Rozłożyć nogi biurka, aż rozlegnie się kliknięcie. **! OSTRZEŻENIE:** Ryzyko zakleszczenia! Podczas podnoszenia nóg trzymać dłonie i objekty z dala.
- Zablokować nogi w odpowiednim położeniu, naciskając na dźwignie i opuszczając je.
- Opcjonalnie: Jeśli konieczne jest złożenie nóg należy upewnić się, że dźwignia jest umieszczona w położeniu pionowym, a zasilanie jest odłączone.
- Z pomocą drugiej osoby, postawić podstawę pionowo.
- Dostarczana podstawa jest dostosowana do blatów o szerokości 1600 mm (63"). Jeśli dany blat nie ma szerokości 1600 mm (63"), należy dostosować szerokość podstawy: 1187 – 1816 mm (47" – 71,5"). Więcej informacji znaleźć można w kroku 1B. W przeciwnym razie przejść do kroku 2.



**KROK 1B – wymagany tylko w sytuacji, gdy stosowany jest blat o szerokości innej niż 1600 mm (63")**

Ustawić docelową długość prowadnic poprzecznych

- Z pomocą drugiej osoby, umieścić odwrócony blat na miękkiej, czystej powierzchni, a następnie umieścić podstawę na blacie.
- Użyć klucza imbusowego 5 mm, by poluzować (8) śrub ustalających po wewnętrznej stronie prowadnic poprzecznych.
- Wydłużyć lub skrócić prowadnice poprzeczne tak, by były równo z końcami biurka. Przewody muszą zwiisać swobodnie, by można było regulować ramę.
- Po regulacji użyć klucza imbusowego 5 mm, by dokręcić śruby ustalające (łącznie 8).
- Z pomocą drugiej osoby, odwrócić samą podstawę pionowo.

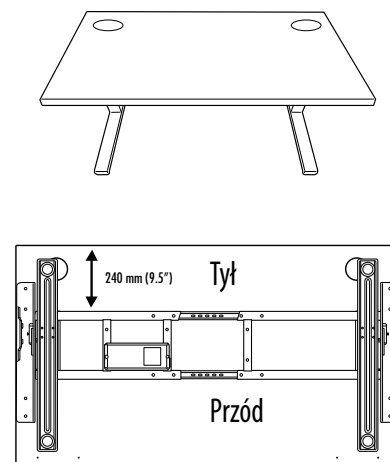




## KROK 2

Dostosować położenie ramy przed przymocowaniem jej do blatu

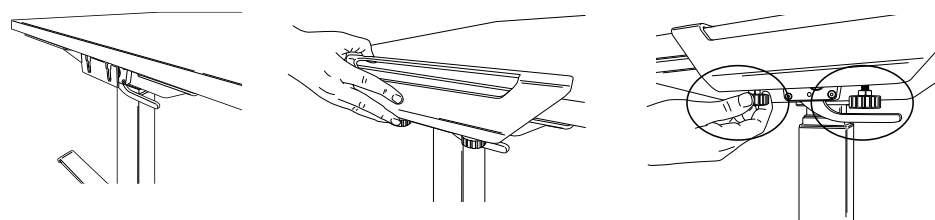
- Z pomocą drugiej osoby, umieścić blat na podstawie.
- Sprawdzić, czy podpory blatu z każdej strony są dokręcone na obu końcach biurka; dopasować je do nawierconych otworów w blacie
- W przypadku blatów o głębokości 800 mm (31,5") tylna prowadnica poprzeczna będzie znajdować się 240 mm (9,5") od tylnej krawędzi blatu



## KROK 3

Mocowanie podstawy do blatu zaciskami

- Przesunąć zaciski po każdej stronie blatu.
- Przy każdym zacisku dokręcić (2) śruby skrzydełkowe, aż rozlegnie się kliknięcie.

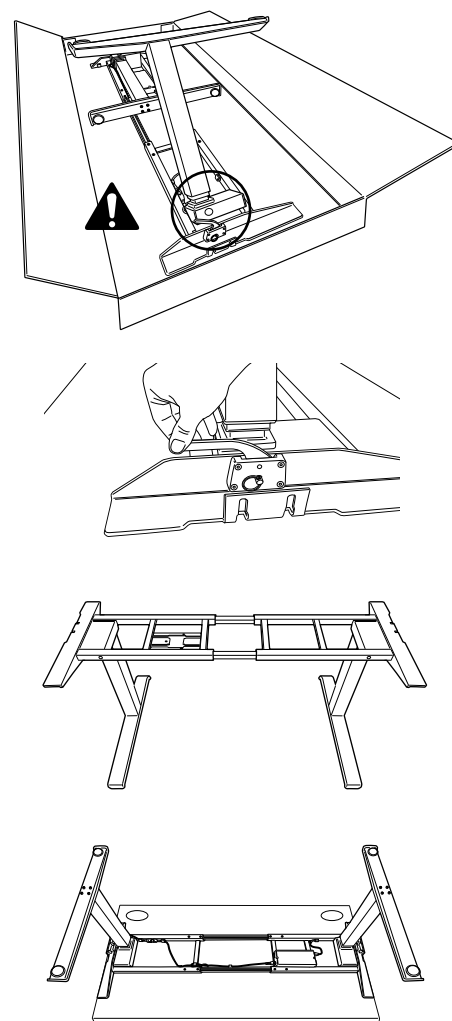


## MONTAŻ, OPCJA 2 – SPRZĘT

### KROK 1

Przygotowania do montażu z udziałem dwóch osób

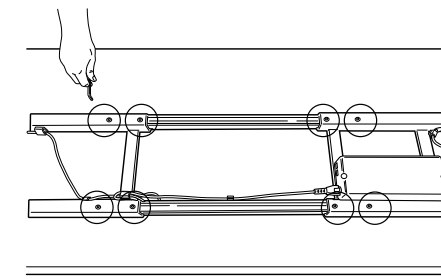
- Umieścić odwrócony blat na miękkiej, czystej powierzchni.
- Upewnić się, że dźwignie na podstawie są umieszczone pionowo.
- Rozłożyć nogi biurka, aż rozlegnie się kliknięcie, **⚠ OSTRZEŻENIE:** Ryzyko zakleszczenia! Podczas podnoszenia nóg trzymać dłonie i objekty z dala.
- Zablokować nogi w odpowiednim położeniu, naciskając na dźwignie i opuszczając je.
- Opcjonalnie: Jeśli konieczne jest złożenie nóg, dopilnować, aby dźwignia była umieszczona pionowo, a zasilanie było odłączone. Wyciągnąć sworzeń i ostrożnie złożyć nogi biurka.
- Podnieść podstawę z pudełka i umieścić na blacie.
- Dostarczana podstawa jest dostosowana do blatów o szerokości 1600 mm (63"). Jeśli dany blat nie ma szerokości 1600 mm (63"), należy dostosować szerokość podstawy: 1187 – 1816 mm (47" – 71,5"). Więcej informacji znaleźć można w kroku 1B. W przeciwnym razie przejść do kroku 2.



## KROK 1B – wymagany tylko w sytuacji, gdy stosowany jest blat o szerokości innej niż 1600 mm (63")

Ustawić docelową długość prowadnic poprzecznych

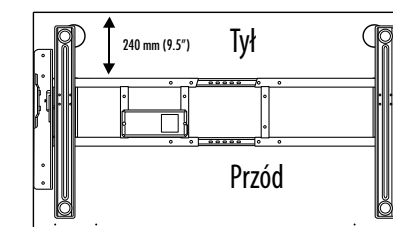
- Użyć klucza imbusowego 5 mm, by poluzować (8) śrub ustalających po wewnętrznej stronie prowadnic poprzecznych.
- Wydłużyć lub skrócić prowadnice poprzeczne tak, by były równo z końcami biurka. Przewody muszą zwiśać swobodnie, by można było regulować ramę.
- Dopasować odpowiednio do nawierconych otworów w blacie.
- Po regulacji użyć klucza imbusowego 5 mm, by dokręcić śruby ustalające (łącznie 8).



## KROK 2

Dostosować położenie ramy przed przymocowaniem jej do blatu.

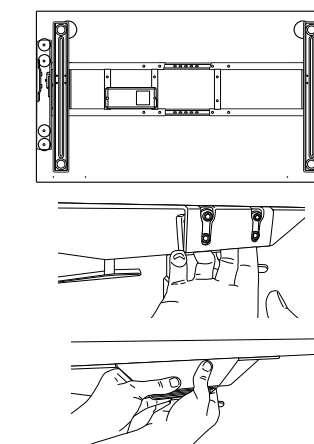
- Sprawdzić, czy podpory blatu z każdej strony są równo z końcami biurka; dopasować je do nawierconych otworów w blacie.
- W przypadku blatów o głębokości 800 mm (31,5") tylna prowadnica poprzeczna będzie znajdować się 240 mm (9,5") od tylnej krawędzi blatu.



## KROK 3

Przymocować podstawę do blatu

- Użyć śruby krzyżakowej M6 z łbem okrągłym (łącznie potrzeba ich 8) oraz wkrętaka krzyżakowego.
- Śruby przechodzą przez otwory prowadzące w górnej części wsporników. Dopasować odpowiednio do nawierconych otworów w blacie.
- Z pomocą drugiej osoby, obrócić podstawę i blat pionowo.
- Przymocować pokrywy zacisków z każdej strony. Rozpocząć od umieszczenia mniejszego elementu wewnątrz obejmę zacisku. Dopasować większy element i docisnąć, by go umocować.

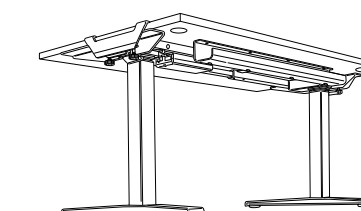
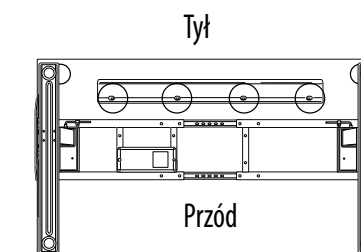


## MONTAŻ AKCESORIÓW

### KROK 1

System zarządzania okablowaniem

- Częściowo wkręcić (4) śruby krzyżakowe we wstępnie nawiercone otwory znajdujące się w tylnej części biurka.
- Zawiesić otwory korytka kablowego na śrubach i przesunąć korytko tak, aby je zablokować. (Uwaga: otwarty koniec korytka kablowego powinien być skierowany do tyłu biurka).
- Dokręcić (4) śruby krzyżakowe, aby zamocować korytko kablowe.
- W razie konieczności wykorzystać dodatkowy znajdujący się w zestawie system zarządzania okablowaniem.
- Przewody nie mogą utrudniać korzystania z biurka.
- Przewody nie mogą przeszkadzać użytkownikowi.

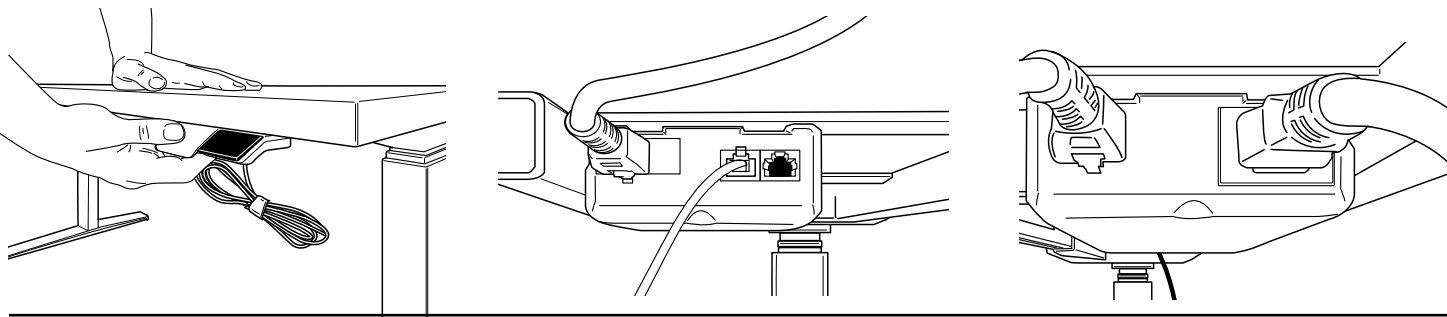




## KROK 2

Przymocować panel sterowania przy pomocy dołączonego paska przylepnego lub z dwóch śrub krzyżakowych M3 z łbem okrągłym

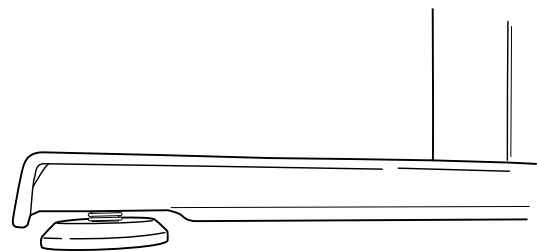
- Umieścić panel sterowania po lewej lub prawej stronie stołu, zależnie od preferencji użytkownika.
- Dokręcić panel sterowania do przedniej krawędzi stołu. Jeśli korzysta się ze śrub M3, należy upewnić się, że panel sterowania jest dopasowany do otworów nawierconych w blacie w blacie.
- Podłączyć panel sterowania do sterownika na podstawie.
- Podłączyć przewód zasilający do sterownika na podstawie i do gniazda sieciowego.



## KROK 3

Równe ustawienie stopek

- Jeśli biurko jest ustawione nierówno należy, dopasować (4) podkładki poziomujące znajdujące się na dole stopek.
- Obracać w prawo w celu obniżenia oraz w lewo w celu podwyższenia.



## OBSŁUGA

Poruszać blatem biurka w górę lub w dół, lekko dociskając palec do górnej lub tylnej części panelu sterującego, aż powierzchnia robocza zostanie ustawiona na żądanej wysokości.

Blat będzie się przesuwał w górę lub w dół do momentu zwolnienia przycisku lub osiągnięcia maksymalnej bądź minimalnej wysokości.

## ZAPAMIĘTANE POŁOŻENIA

Istnieją dwie grupy ustawień pamięci, z których każda dysponuje dwoma ustawieniami wysokości. Aby błyskawicznie przełączać pomiędzy dwoma użytkownikami, nacisnąć przycisk M; na wyświetlaczu wyświetli się oznaczenie U1 lub U2. Można wykorzystać do czterech zapamiętanych położeń, by zapisać określone wysokości powierzchni roboczej. Aby wybrać określone położenie:

Podnieść lub opuścić blat do położenia, które chce się zapisać.

Delikatnie nacisnąć i przytrzymać przycisk M przez dwie sekundy; wyświetlacz LED zamiga. Oznacza to zapisanie danego położenia. Aby wyczyścić zapisane ustawienia, należy delikatnie nacisnąć przycisk M i przytrzymać go przez 8 sekund, do momentu wyświetlenia napisu CLR.

## ZMIANA JEDNOSTEK NA WYŚWIETLACZU WYSOKOŚCI

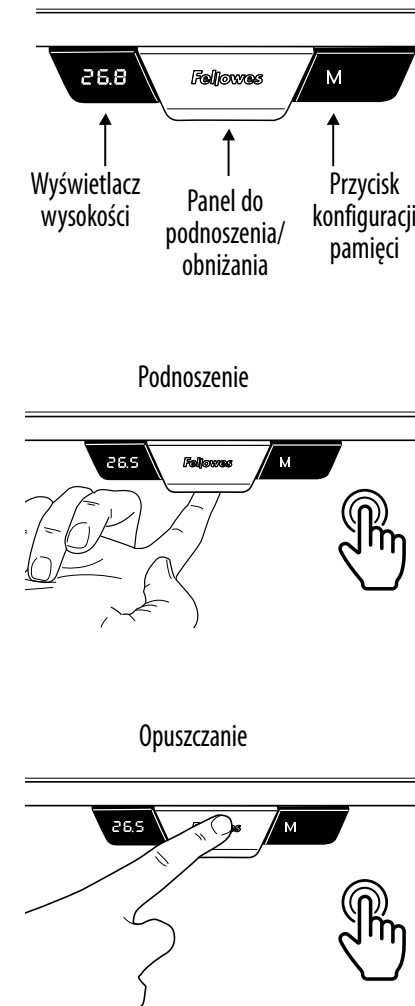
Funkcja ta umożliwia przełączanie wyświetlanych jednostek z cali na centymetry.

Lekko dotknąć jednocześnie przyciski „góra / dół” i przytrzymać przez 10 sekund.

## ZRESETOWAĆ SYSTEM DO USTAWIENI FABRYCZNYCH

Aby zresetować panel sterowania do ustawień fabrycznych, należy wykonać te same czynności, które opisaliśmy w części „Inicjalizacja systemu”.

W przypadku komunikatu o błędzie lub przerwy w dostawie prądu należy zresetować system.



## INSTRUKCJA OBSŁUGI

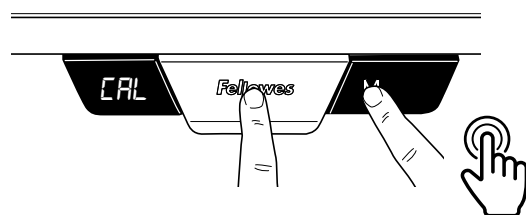
### INICJALIZACJA SYSTEMU

**OSTRZEŻENIE:** Obsługa zestawu wymaga jedynie lekkiego nacisku. Podczas opuszczania biurka należy lekko nacisnąć środek panelu sterowania (logo Fellowes). Zbyt mocny nacisk, przeciągnięcie lub popchnięcie dolnej części panelu może spowodować uszkodzenie tego elementu.

**WAŻNE:** Nijęj opisaną procedurę inicjalizacji należy ukończyć przed przystąpieniem do korzystania z biurka. Podczas inicjalizacji wyświetlany jest komunikat CAL, który pozostaje aktywny, aż do ukończenia całego procesu.

**PRZESTROGA:** Sprawdzić, czy pozostawiono odpowiedni odstęp. Upewnić się, że na blacie nie ma żadnych przedmiotów.

- Lekko dotknąć jednocześnie przycisku M oraz logo Fellowes i przytrzymać je przez 10-15 sekund.
- Nogi zaczną obniżać się z prędkością równą połowie prędkości normalnej pracy.
- Nadal przytrzymywać przyciski.
- Nogi obniżą się do najniższego położenia, a następnie odbiją o 2 mm do 5 mm (1/16" do 3/16") i zatrzymają. Może to zająć od 10 do 45 sekund, w zależności od grubości blatu.
- Zwolnić jednocześnie oba przyciski. Procedura inicjalizacji została ukończona.
- W przypadku rozpoczęcia, ale nie ukończenia procedury inicjalizacji, biurko nie będzie działać. Trzeba ukończyć procedurę inicjalizacji.



## PODSTAWA DO BIURKA LEVADO™ Z REGULACJĄ WYSOKOŚCI – OGRANICZONA GWARANCJA

Fellowes, Inc. (dalej: „Firma”) udziela gwarancji dotyczącej podstawy do biurka Levado™ z regulacją wysokości (dalej: „Produkt”) na brak wad materiałowych i wad wykonania, na okres określony poniżej.

W przypadku ramy jest to okres 15 (piętnastu) lat od dnia pierwotnego zakupu produktu.

Na wszystkie elementy elektryczne udziela się gwarancji na okres 7 (słownie: siedmiu) lat od dnia pierwotnego zakupu produktu.

Niniejsza gwarancja obowiązuje przez wyszczególniony okres gwarancji, jedynie w przypadku kupna pierwotnego oraz zgodnie z warunkami określonymi w gwarancji. Gwarancja nie obejmuje wad, które powstały w wyniku nieprawidłowego użytkowania, niezastosowania się do instrukcji instalacji i użytkowania, zaniedbania, wykorzystania niedozwolonych dodatków, użytku komercyjnego, zastosowania niewłaściwego napięcia lub prądu oraz napraw wykonywanych poza autoryzowanym serwisem w okresie gwarancji.

OKRES OBOWIĄZYWANIA WSZELKICH GWARANCJI DOROZUMIANYCH, W TYM MIĘDZY INNYMI DOROZUMIANYCH GWARANCJI PRZYDATNOŚCI HANDLOWEJ I PRZYDATNOŚCI DO OKREŚLONEGO CELU, JEST JEDNOZNACZNIE OGRANICZONY DO OKRESU NINIEJSZEJ GWARANCJI.

O ILE Z PRZEPISÓW OBOWIĄZUJĄCEGO PRAWA NIE WYNIKA INACZEJ, WYŁĄCZNE ŚRODKI NAPRAWCZE PRZYSŁUGUJĄCE KLIENTOWI Z TYTUŁU NARUSZENIA NINIEJSZEJ GWARANCJI LUB JAKIEJKOLWIEK GWARANCJI DOROZUMIANEJ LUB INNEGO ZOBOWIĄZANIA WYNIKAJĄCEGO Z DZIAŁANIA PRAWA LUB W INNY SPOSÓB OGRANICZAJĄ SIĘ DO NAPRAWY, WYMIANY LUB ZWROTU RÓWNOWARTOŚCI CENY ZAKUPU, WEDŁUG WŁASNEGO UZNANIA FIRMY.

ANI FIRMA, ANI JEJ PODMIOTY STOWARZYSZONE, PODMIOTY ZALEŻNE, PODMIOTY POWIĄZANE, SPRZEDAWCY ANI ICH ODPOWIEDNI PRZEDSTAWICIELE, DYREKTORZY ANI PRACOWNICY, ANI TEŻ OSOBY, ZA KTÓRE SĄ ONI USTAWOWO ODPOWIEDZIALNI, W ŻADNYCH OKOLICZNOŚCIACH NIE PONOSZĄ ODPOWIEDZIALNOŚCI ZA WTÓRNE ANI PRZYPADKOWE SZKODY PONIESIONE W ZWIĄZKU Z UŻYTKOWANIEM PRODUKTU. FIRMA I TAKIE INNE STRONY NIE PRZYJMĄJĄ ANI NIE UPOWAŻNIAJĄ PRZEDSTAWICIELA LUB INNYCH OSÓB DO PRZYJĘCIA W IMIENIU KTÓREJKOLWIEK Z NICH JAKIKOLWIEK ZOBOWIĄZAŃ INNYCH NIŻ TE, KTÓRE SĄ WYRAŹNIE OKREŚLONE W NINIEJSZEJ UMOWIE.

Okres obowiązywania i warunki niniejszej gwarancji zachowują ważność na całym świecie z wyjątkiem sytuacji, gdy lokalne prawo nakłada inne ograniczenia lub warunki.

Tylko dla mieszkańców Australii:

Nasze produkty są objęte gwarancją, która nie podlega wykluczeniu na mocy australijskich praw konsumenta. Użytkownik ma prawo do wymiany lub zwrotu kosztów z tytułu poważnych uchybień oraz do odszkodowania z tytułu wszelkich innych racjonalnie przewidywalnych strat lub uszkodzeń. Ponadto ma prawo do naprawy lub wymiany towaru, jeśli nie są one zadowalającej jakości, a usterka nie zostanie uznana za poważną awarię. Korzyści wynikające z gwarancji udzielonej przez firmę Fellowes stanowią uzupełnienie innych praw i środków prawnych przysługujących na mocy przepisów w odniesieniu do niniejszego produktu.

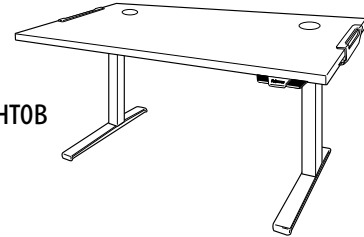
**ИНСТРУКЦИИ ПО ТЕХНИКЕ БЕЗОПАСНОСТИ/ПРЕДУПРЕЖДЕНИЕ**

**ПРЕДУПРЕЖДЕНИЕ: ВАЖНЫЕ ПРАВИЛА ТЕХНИКИ БЕЗОПАСНОСТИ** — Прочтите перед использованием!

- **ВНИМАНИЕ:** Опасно поднимать! Для перемещения стола нужно 2 человека. Можно получить серьезную травму.
- К ПЛАТФОРМЕ ЗАПРЕЩАЕТСЯ ПРИЛАГАТЬ МАКСИМАЛЬНОЕ УКАЗАННОЕ УСИЛИЕ. ЭТО МОЖЕТ ПРИВЕСТИ К ТРАВМЕ ИЛИ ПОВРЕЖДЕНИЮ ИЗДЕЛИЯ.
- Не используйте стол, если какая-либо из частей повреждена или имеет дефекты.
- На пути стола не должно быть помех.
- Не следует помещать под стол объекты выше 610 мм (24 дюйма).
- Убедитесь, что со всех сторон стола есть необходимый зазор (не менее 25 мм (1 дюйм)) от всех окружающих стен и объектов.
- Не садитесь и не становитесь на стол.
- Не разбирайте ножки, коробку управления или контроллер. Можно получить серьезную травму.
- Длина всех шнуров должна быть достаточной с учетом регулирования высоты. Соблюдайте инструкции по прокладке шнуров, приведенные в данном руководстве. Несоблюдение данных инструкций может привести к повреждению оборудования или травмам.
- Жидкость не должна попадать на электрические компоненты. Электрические компоненты можно очищать только сухой тряпкой.
- Устройство предназначено для использования исключительно в закрытом помещении.
- Шнур питания следует держать вдали от источников тепла.
- Перед перемещением или обслуживанием отключите стол от сети.
- Перед перемещением уберите со стола все оборудование и принадлежности.
- Дети должны находиться подальше от движущихся частей и не должны находиться под столом.

Максимальный вес, включая столешницу

≤ 100 кг  
≤ 220 фунтов

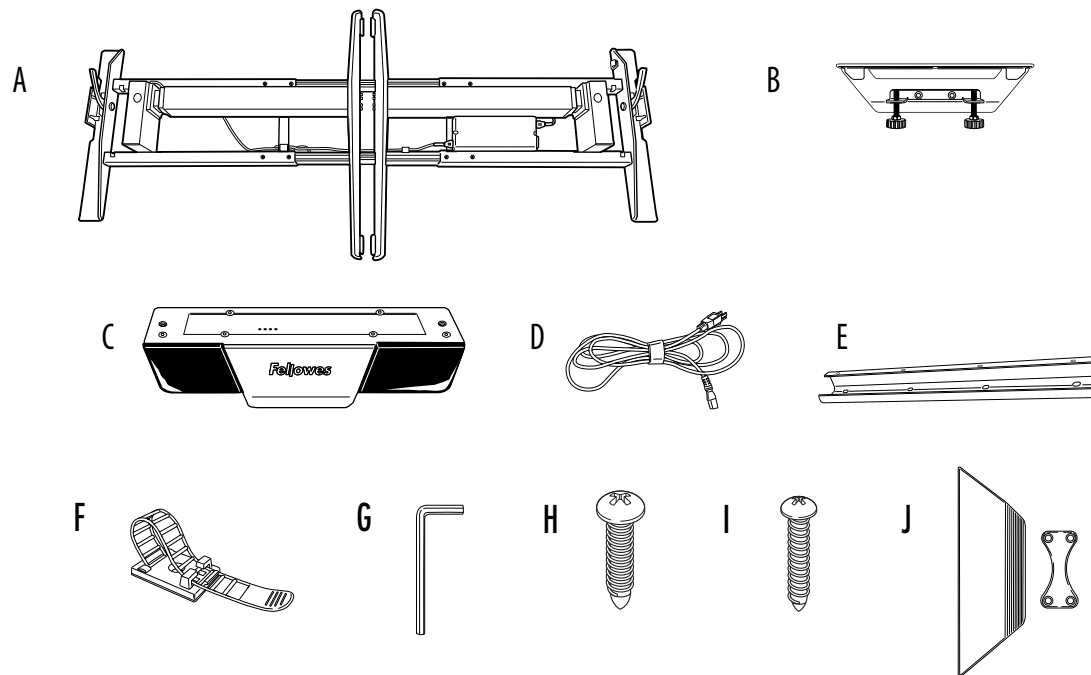


Подходит для столешниц следующих размеров:

- Ширина: 1187–1816 мм
- Глубина: 700–800 мм
- Толщина: 19–31,75 мм

**ПРЕДУСМОТРЕННЫЕ ДЕТАЛИ**

- A Основание x1
- B Зажим x2
- C Панель управления x1
- D Шнур питания x1
- E Желоб для кабеля x1
- F Кабель-канал x4
- G Шестигранный 5 мм ключ x1
- H Винт M6 Phillips с круглой головкой x14
- I Винт M3 Phillips с круглой головкой x2
- J Крышка зажима x2



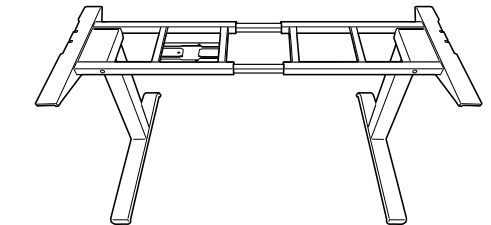
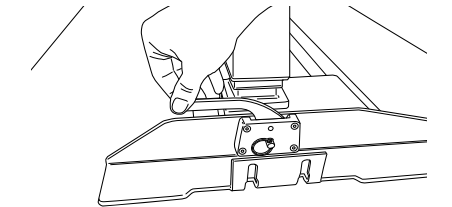
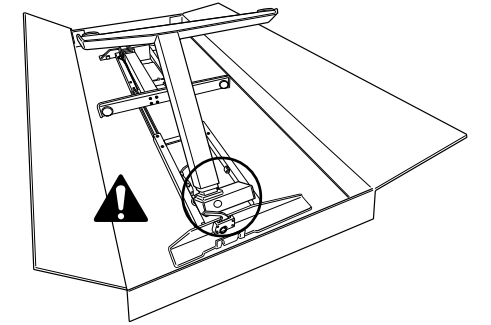
**Другие необходимые инструменты**  
Крестообразная отвертка

**ВАРИАНТ УСТАНОВКИ 1 - ЗАЖИМЫ**

**ШАГ 1**

Распаковка

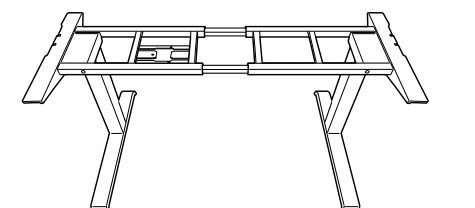
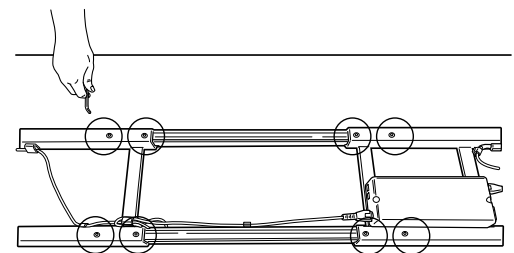
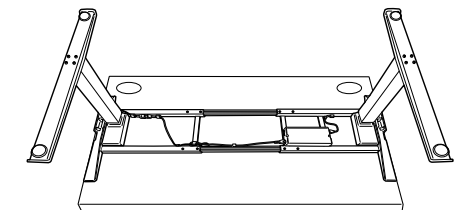
- Откройте коробку сверху.
- Убедитесь, что рычаги на основании находятся в вертикальном положении.
- Вытаскивайте ножки до щелчка. **! ПРЕДУПРЕЖДЕНИЕ:** Опасное место! При поднятии ножек следите за руками и объектам.
- Зафиксируйте ножки на месте, опустив рычаги.
- Дополнительно: Если ножки следует собрать, то рычаг должен быть направлен вверх, а питание следует отключить. Вытащите шпильку и аккуратно соберите ножки.
- Для поворота основания, потребуется два человнка.
- Данная база по умолчанию отрегулирована для столов с шириной 1600 мм (63 дюйма). Если ваш стол шире или уже 1600 мм (63 дюймов), необходимо отрегулировать ширину основания в пределах 1187–1816 мм (47–71,5 дюйма). См. шаг 1B, в противном случае, переходите к шагу 2.



**ШАГ 1B - Для столов уже или шире 1600 мм (63 дюйма)**

Отрегулируйте поперечные каналы до окончательной длины

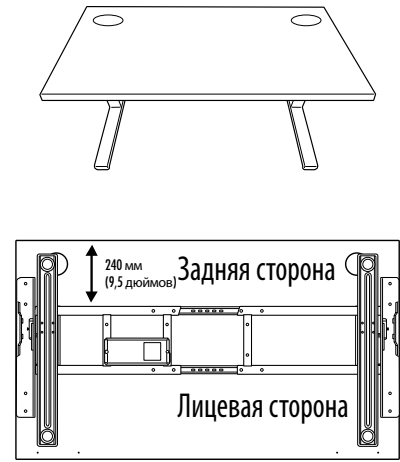
- Требуется два человека, чтобы положить стол верхней поверхностью вниз на мягкую гладкую поверхность и установить основание на стол.
- С помощью шестигранного 5 мм ключа ослабьте зажимные винты (8) на внутренней стороне поперечных каналов.
- Расширьте или сузьте каналы заподлицо с обеих сторон стола. Высвободите необходимую длину кабелей для регулировки рамы.
- После регулировки, используйте шестигранный 5 мм ключ, чтобы повторно затянуть зажимные винты (всего 8 шт.).
- Для поворота основания потребуется два человека.



## ШАГ 2

Отрегулируйте положение рамы перед прикреплением ее к столешнице.

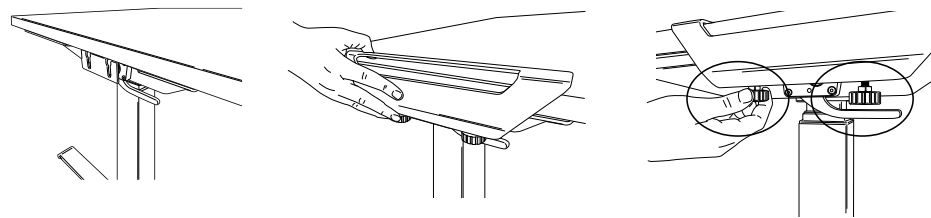
- Для того, чтобы поместить столешницу на основание потребуется два человека.
- Убедитесь, что стойки с верхней стороны стола расположены на одном конце стола и совпадают с предварительно просверленными отверстиями на столе.
- Задний поперечный канал будет 240 мм (9,5 дюйма) на 800 мм (31,5 дюйма) глубиной и будет располагаться с задней стороны стола.



## ШАГ 3

Крепление основы к столу

- Сдвиньте зажимы на каждой стороне стола.
- На каждом зажиме затяните (2) барашковых винта до щелчка.

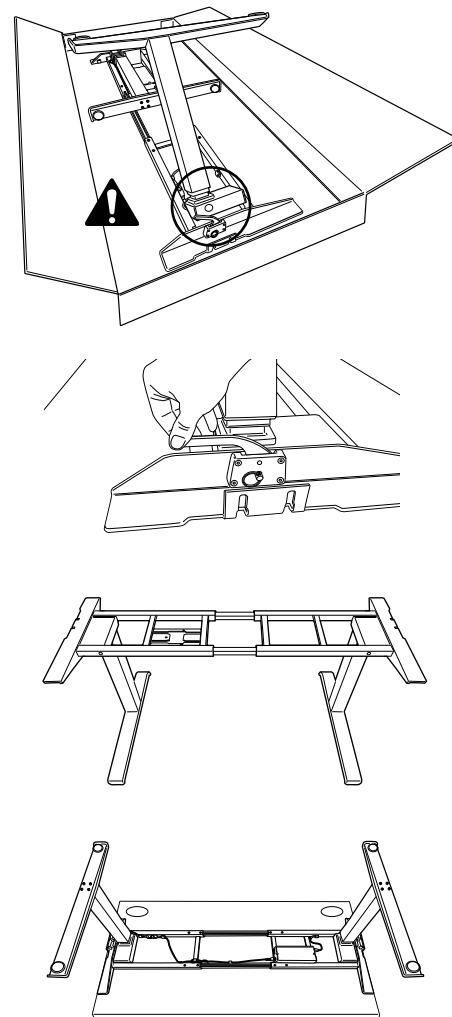


## ВАРИАНТ УСТАНОВКИ 2 - ОБОРУДОВАНИЕ

### ШАГ 1

Подготовка к установке с привлечением двух людей

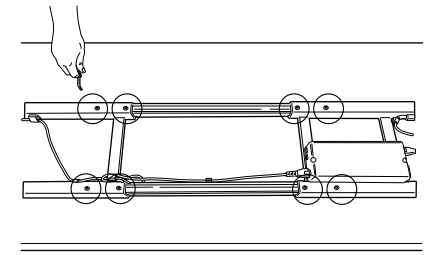
- Расположите стол лицевой поверхностью вниз на мягкую чистую поверхность.
- Убедитесь, что рычаги на основании находятся в вертикальном положении.
- Вытащите ножки до щелчка. **!** ВНИМАНИЕ: Опасное место! При поднятии ножек следите за руками и объектам.
- Зафиксируйте ножки на месте, опустив рычаги.
- Дополнительно: Если ножки следует собрать, то рычаг должен быть направлен вверх, а питание следует отключить. Вытащите шпильку и аккуратно соберите ножки.
- Вытащите основу из коробки и поместите на столешницу.
- Данная база по умолчанию отрегулирована для столов с шириной 1600 мм (63 дюйма). Если ваш стол шире или уже 1600 мм (63 дюйма), необходимо отрегулировать ширину основания в пределах 1187–1816 мм (47–71,5 дюйма). См. шаг 1В, в противном случае, переходите к шагу 2.



## ШАГ 1В - Для столов уже или шире 1600 мм (63 дюйма)

Отрегулируйте поперечные каналы до окончательной длины

- С помощью шестигранного 5 мм ключа ослабьте зажимные винты (8) на внутренней стороне поперечных каналов.
- Расширьте или сузьте каналы заподлицо с обеих сторон стола. Высвободите необходимую длину кабелей для регулировки рамы.
- Убедитесь в верном расположении предварительно просверленных отверстий на столе.
- После регулировки используйте шестигранный 5 мм ключ, чтобы повторно затянуть зажимные винты (всего 8 шт.).



## ШАГ 2

Отрегулируйте положение рамы перед прикреплением ее к столу.

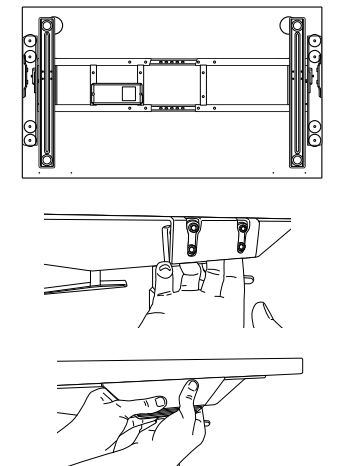
- Убедитесь, что стойки с верхней стороны стола расположены на одном конце стола и совпадают с предварительно просверленными отверстиями на столе.
- Задний поперечный канал будет 240 мм (9,5 дюйма) на 800 мм (31,5 дюйма) глубиной и будет располагаться с задней стороны стола



## ШАГ 3

Крепление основания к столу

- Используйте винты М6 Phillips с круглой головкой (всего 8 шт.) и отвертку Phillips.
- Винты должны пройти через направляющие в верхних частях стоек. Убедитесь в верном расположении предварительно просверленных отверстий на столе.
- Для поворота основания и стола, потребуется два человека.
- Закрепите крышку зажима на каждой стороне. Начните с размещения меньшей части на внутренней стороне зажима. Выровняйте большую деталь и надавите на нее.

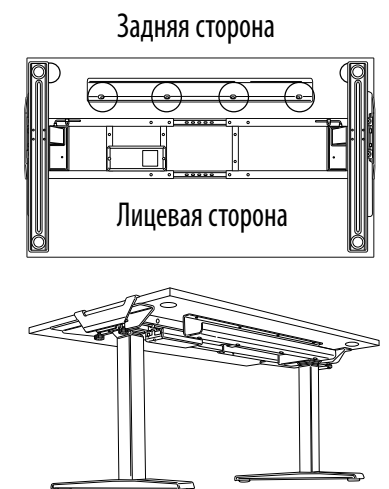


## УСТАНОВКА АКСЕССУАРОВ

### ШАГ 1

Кабельный желоб

- Частично вкрутите винты с крестообразным шлицем (4 шт.) в предварительно просверленные отверстия, расположенные ближе к обратной стороне стола.
- Наденьте пазы кабель-канала на винты и сдвиньте его, чтобы зафиксировать на месте. (Примечание. Открытая грань кабель-канала должна быть обращена к обратной стороне стола.)
- Затяните винты с крестообразным шлицем (4 шт.), чтобы зафиксировать кабель-канал.
- При необходимости используйте дополнительный желоб для кабеля.
- Кабели не должны мешать использованию стола.
- Кабели не должны мешать пользователю.

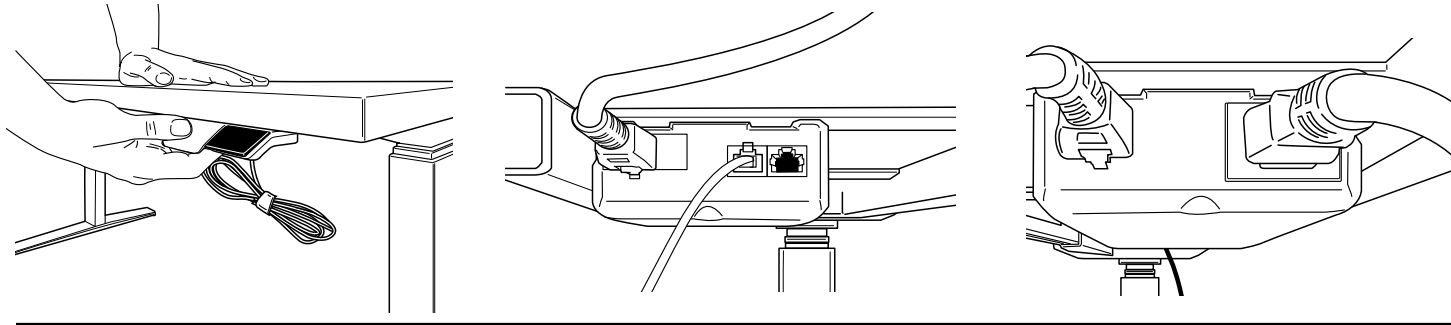




## ШАГ 2

Прикрепите панель управления, используя прилагаемую клейкую ленту или используя два винта с круглой головкой M3 Phillips

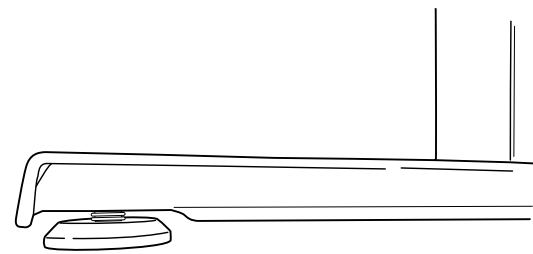
- Поместите панель управления, на левую или правую сторону стола в соответствии с предпочтениями пользователя.
- Установите панель управления, заподлицо на переднем крае стола. Используя метод крепления M3 убедитесь, что панель управления, располагается в соответствии с предварительно просверленными отверстиями на столе.
- Подключите панель управления, к контроллеру на основании.
- Подключите шнур питания к контроллеру на основании, а затем в розетку.



## ШАГ 3

Уровень ног

- Если вы ощущаете, что стол несбалансирован, то отрегулируйте (4) выравнивающие опоры, расположенные в нижней части для ног
- Поворот по часовой стрелке опустит стол, а против часовой стрелки - поднимет



## ОБЩАЯ ЭКСПЛУАТАЦИЯ

Опускайте или поднимайте стол, удерживая палец на лицевой или обратной стороне панели управления, пока рабочая поверхность не достигнет необходимой высоты.

Стол будет продолжать двигаться вверх или вниз, пока вы не отпустите кнопку или пока не будет достигнута максимальная или минимальная высота.

## ПАМЯТЬ ПОЛОЖЕНИЙ

Существует две группы настроек памяти, каждая из которых хранит две настройки высоты. Для переключения между двумя пользователями нажмите кнопку M и на экране появится обозначение U1 или U2. Можно использовать до четырех слотов памяти для сохранения положений высоты рабочей поверхности. Для того, чтобы установить конкретное положение, выполните следующее:

Поднимите или опустите стол до желаемого положения.

Слегка коснитесь кнопки M и удерживайте ее в течение двух секунд; после этого светодиодный дисплей начнет мигать. Это означает, что он сохранил положение. Чтобы удалить сохраненные настройки, слегка коснитесь кнопки M и удерживайте ее в течение 8 секунд, пока на дисплее не отобразится надпись CLR.

## ИЗМЕНЕНИЕ ЕДИНИЦ ОТОБРАЖЕНИЯ ВЫСОТЫ

С помощью этой функции вы можете изменять единицы измерения с дюймов на сантиметры.

Слегка нажмите на кнопки подъема и опускания одновременно и удерживайте в течение 10 секунд.

## СБРОС СИСТЕМЫ ДО ЗАВОДСКИХ НАСТРОЕК

Для восстановления заводских настроек панели управления используются те же инструкции, что предусмотрены для раздела «Инициализация системы».

Если появляется сообщение об ошибке или в случае отключения электроэнергии, перезагрузите систему.



## РУКОВОДСТВО ПО ЭКСПЛУАТАЦИИ

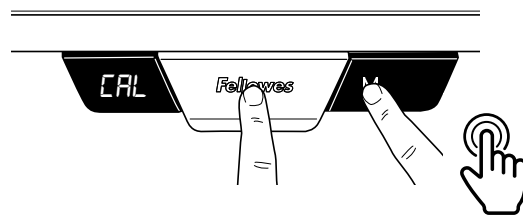
### ИНИЦИАЛИЗАЦИЯ СИСТЕМЫ

**ОСТОРОЖНО!** При работе с панелью управления достаточно легких нажатий. Опуская стол, слегка касайтесь центральной части панели управления (с логотипом Fellowes). Если слишком сильно надавить, потянуть на себя или толкнуть нижнюю часть панели управления, это может привести к повреждению устройства.

**ВАЖНАЯ ИНФОРМАЦИЯ!** Перед началом работы со столом необходимо завершить описанный ниже процесс инициализации. Во время инициализации на дисплее появляется надпись CAL, она будет отображаться до завершения процесса.

**ВНИМАНИЕ!** Обеспечьте надлежащий зазор. Убедитесь, что все убрано с поверхности стола.

- Слегка коснитесь логотипа Fellowes и кнопки M одновременно и удерживайте в течение 10–15 секунд.
- Ножки начнут опускаться со скоростью, в два раза меньше нормальной.
- Продолжайте удерживать кнопки.
- Ножки сдвинутся вниз до самого нижнего положения, затем отскочат на расстояние от 2 мм до 5 мм (1/16 дюйма до 3/16 дюйма) и остановятся. Это может занять от 10 до 45 секунд в зависимости от толщины столешницы.
- Отпустите обе кнопки одновременно. Это завершит процедуру инициализации.
- Если инициализация начата, но не закончена, стол не будет работать. Вы должны завершить процесс инициализации.



### ОГРАНИЧЕННАЯ ГАРАНТИЯ КОМПАНИИ FELLOWES НА РЕГУЛИРУЕМЫЙ ПО ВЫСОТЕ СТОЛ LEVADO™

Компания Fellowes, Inc. (далее «Компания») гарантирует, что регулируемый по высоте стол Levado™ («Изделие») не будет иметь дефектов материала и изготовления в течение периода времени, указанного ниже.

Структурная рама в течение пятнадцати (15) лет с даты первоначальной покупки продукта.

Все электрические части в течение семи (7) лет с даты первичного приобретения продукта.

Настоящая гарантия распространяется только на первоначального покупателя и не распространяется на претензии, возникшие в результате неправильного использования, несоблюдения инструкций по установке и использованию, небрежного использования, использования сторонних комплектующих, коммерческого использования, использования при напряжении, отличном от указанного на изделии, или несанкционированного обслуживания в течение гарантийного срока на условиях, на которые распространяется гарантия.

СРОК ДЕЙСТВИЯ ЛЮБЫХ ПОДРАЗУМЕВАЕМЫХ ГАРАНТИЙ, ВКЛЮЧАЯ, НО НЕ ОГРАНИЧИВАЯСЯ ЛЮБЫМИ ПОДРАЗУМЕВАЕМЫМИ ГАРАНТИЯМИ ТОВАРНОГО СОСТОЯНИЯ ИЛИ ПРИГОДНОСТИ ДЛЯ ОПРЕДЕЛЕННОЙ ЦЕЛИ, ЧЕТКО ОГРАНИЧЕН СРОКОМ ДЕЙСТВИЯ ДАННЫХ ГАРАНТИЙНЫХ УСЛОВИЙ.

ЕСЛИ ИНОЕ НЕ ПРЕДПИСАНО ЗАКОНОМ, ИСКЛЮЧИТЕЛЬНОЕ СРЕДСТВО ПРАВОВОЙ ЗАЩИТЫ ПОКУПАТЕЛЯ В СЛУЧАЕ НАРУШЕНИЯ ДАННЫХ ГАРАНТИЙНЫХ УСЛОВИЙ ИЛИ ПОДРАЗУМЕВАЕМЫХ ГАРАНТИЙНЫХ УСЛОВИЙ, ЛИБО ЛЮБЫХ ДРУГИХ ОБЯЗАТЕЛЬСТВ, ВЫТЕКАЮЩИХ ИЗ ДЕЙСТВУЮЩЕГО ЗАКОНОДАТЕЛЬСТВА, ОГРАНИЧИВАЕТСЯ УКАЗАННЫМ ЗДЕСЬ ПРАВОМ НА РЕМОНТ, ЗАМЕНУ УСТРОЙСТВА ИЛИ КОМПЕНСАЦИЮ ЕГО ПОКУПНОЙ СТОИМОСТИ, НА УСМОТРЕНИЕ КОМПАНИИ.

КОМПАНИЯ, ЕЕ ФИЛИАЛЫ, ДОЧЕРНИЕ, ПАРТНЕРСКИЕ КОМПАНИИ, ПРОДАВЦЫ ИЛИ ИХ ПРЕДСТАВИТЕЛИ, РУКОВОДСТВО ИЛИ СОТРУДНИКИ, А ТАКЖЕ ЛИЦА, КОТОРЫМ ОНИ ПОДОТЧЕТНЫ ПО ЗАКОНУ, НИ ПРИ КАКИХ УСЛОВИЯХ НЕ НЕСУТ ОТВЕТСТВЕННОСТИ ЗА ВОЗМЕЩЕНИЕ УЩЕРБА, СВЯЗАННОГО С ЭКСПЛУАТАЦИЕЙ ДАННОГО ИЗДЕЛИЯ. КОМПАНИЯ И ДРУГИЕ УПОМЯНУТЫЕ ЗДЕСЬ СТОРОНЫ НЕ УПОЛНОМОЧИВАЮТ НИКАКИХ СВОИХ ПРЕДСТАВИТЕЛЕЙ ИЛИ ДРУГИХ ЛИЦ БРАТЬ НА СЕБЯ КАКИЕ-ЛИБО ОБЯЗАТЕЛЬСТВА ИЛИ ОТВЕТСТВЕННОСТЬ, КРОМЕ ТЕХ, КОТОРЫЕ ЧЕТКО ИЗЛОЖЕНЫ В ДАННОМ ДОКУМЕНТЕ.

Сроки и условия действия данной гарантии действительны для всех стран, кроме тех, в которых законом налагаются иные ограничения и условия.

Только для жителей Австралии:

В соответствии с Законом Австралии о защите прав потребителя наши товары продаются с неисключаемыми гарантиями. Вы имеете право на замену или возврат средств в случае крупной неисправности и на компенсацию за какие-либо другие предсказуемые в разумных пределах убытки или повреждения. Также вы имеете право на ремонт или замену товара, если товар оказался неприемлемого качества и эта неисправность не считается крупной. Выгоды по гарантии компании Fellowes являются дополнением к другим правам и средствам правовой защиты в соответствии с законодательством в отношении изделия.



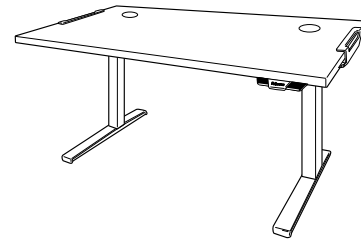
### INSTRUÇÕES DE SEGURANÇA/ADVERTÊNCIA

#### ADVERTÊNCIA: INSTRUÇÕES DE SEGURANÇA IMPORTANTES — Leia antes de utilizar o aparelho!

- **ATENÇÃO:** Perigo aquando de elevação! São necessárias duas pessoas para mover a mesa. Podem ocorrer lesões graves.
- **NÃO EXCEDA A CAPACIDADE DE PESO MÁXIMA INDICADA. PODE PROVOCAR DANOS MATERIAIS OU LESÕES GRAVES.**
- Não coloque a mesa em funcionamento se qualquer peça estiver danificada ou com defeito.
- Não coloque obstáculos no caminho da mesa.
- Não coloque objetos sob a mesa com altura superior a 610 mm (24").
- Certifique-se de que a mesa possui uma distância adequada de todos os lados (pelo menos 25 mm (1")) às paredes e objetos adjacentes.
- Não se sente nem se levante sobre a mesa.
- Não desmonte as pernas, caixa de controlo ou controlador. Podem ocorrer lesões graves.
- Certifique-se de que todos os cabos têm um comprimento suficientemente longo para acomodar todas as alterações de altura e siga as instruções de encaminhamento do cabo indicadas neste manual. A não observância destas instruções pode resultar em danos no equipamento ou em lesões corporais.
- Mantenha os líquidos afastados de todos os componentes elétricos. Limpe os componentes elétricos apenas com um pano seco.
- Apenas para uso no interior
- Mantenha o cabo de alimentação longe de fontes de calor.
- Retirar a ficha de alimentação da mesa antes de mover ou efetuar assistência.
- Remover todo o equipamento e acessórios da mesa antes de a mover.
- Não permita que as crianças se coloquem sob a mesa ou se aproximem de peças móveis.

#### Peso máximo incluindo o topo da mesa

≤ 100 kg  
≤ 220 lbs

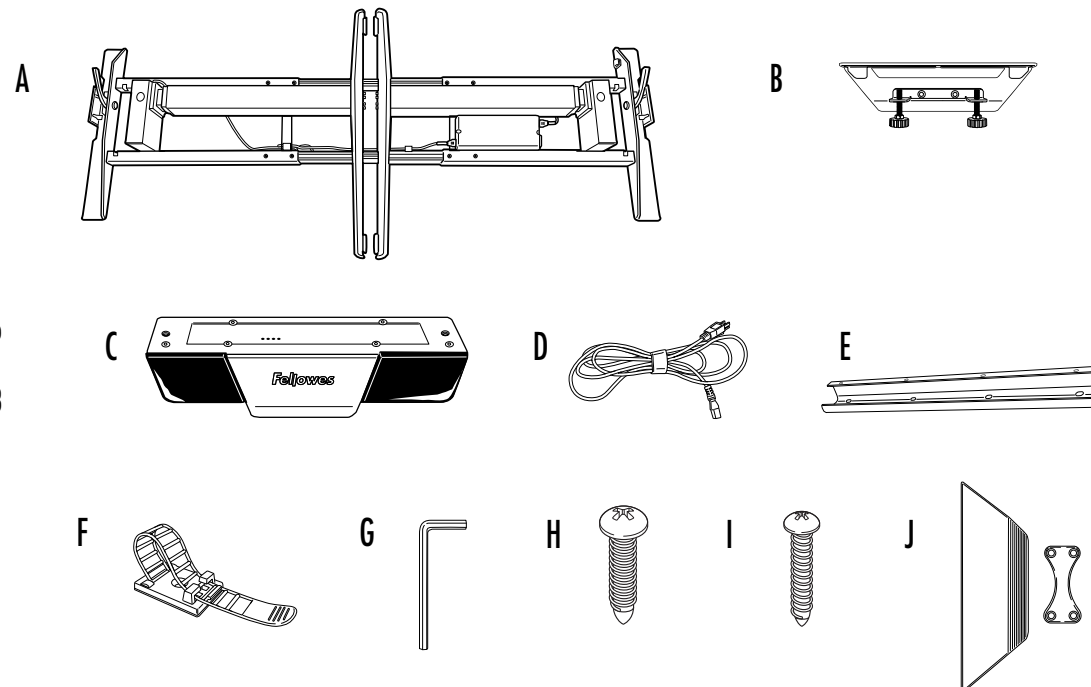


Acomoda tampos de mesa com as seguintes dimensões:

- Largura: 1187 - 1816 mm
- Profundidade: 700 - 800 mm
- Espessura: 19 - 31,75 mm

### PEÇAS FORNECIDAS

- A Base x1
- B Fixador x2
- C Conjunto x1
- D Cabo de alimentação x1
- E Suporte para cabos x1
- F Gestão de cabos x4
- G Chave Allen de 5 mm x1
- H Parafusos de cabeça redonda M6 Phillips x14
- I Parafusos de cabeça redonda M3 Phillips x2
- J Tampas de fixador x2



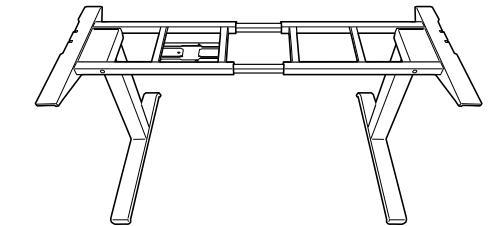
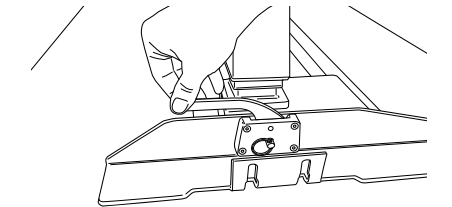
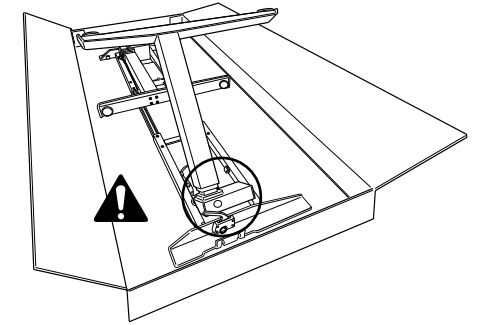
**Ferramentas adicionais necessárias**  
Chave de fendas Philips

### OPÇÃO DE INSTALAÇÃO 1 - FIXADORES

#### PASSO 1

##### Desembalar

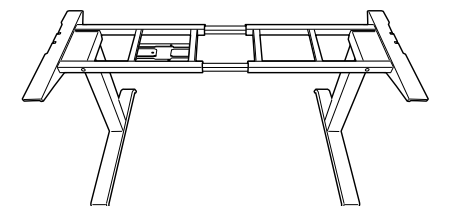
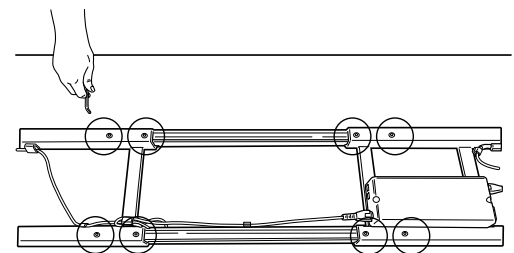
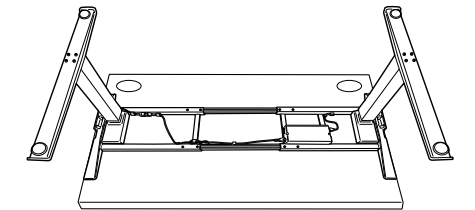
- Abra a caixa a partir de cima.
- Certifique-se de que as alavancas na base estão em posição vertical.
- Desdobre as pernas até encaixarem. **⚠️ ADVERTÊNCIA:** Ponto de fixação! Mantenha as mãos e objetos afastados ao levantar as pernas.
- Bloquee as pernas empurrando as alavancas para baixo.
- Opcional: Se tiver que dobrar as pernas, certifique-se de que a alavanca está na posição vertical e que a alimentação está desligada. Puxe o pino e com cuidado oriente e dobre as pernas.
- Coloque a base na posição vertical, com a ajuda de duas pessoas.
- A base é enviada ajustada para mesas com 1600 mm (63") de largura. Se a sua mesa não tiver 1600 mm (63") de largura, precisará de ajustar a largura da base 1187 - 1816 mm (47" - 71,5"). Consulte o passo 1B, ou passe para o passo 2.



#### PASSO 1B - Apenas necessário se a mesa não tiver 1600 mm (63") de largura

Ajuste as travessas da estrutura para o comprimento final

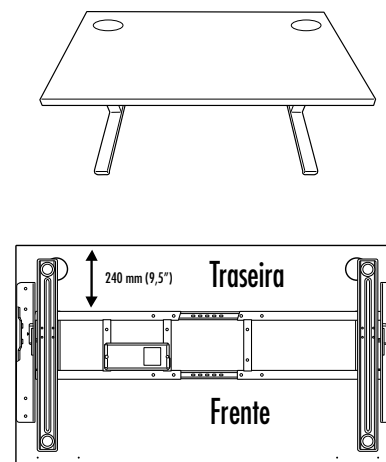
- Coloque a mesa voltada ao contrário sobre uma superfície macia, limpa e coloque a base na mesa, com a ajuda de duas pessoas.
- Utilize a chave Allen de 5 mm para soltar os parafusos (8) de fixação do interior das travessas de estrutura.
- Alargue ou contraia as travessas da estrutura até alinhar com ambas as extremidades da mesa. Liberte os cabos conforme necessário para permitir ajustar a estrutura.
- Depois de devidamente ajustada, utilize a chave Allen de 5 mm para voltar a apertar os parafusos (8 no total) de fixação.
- Coloque a base apenas na posição vertical, com a ajuda de duas pessoas.



## PASSO 2

Ajuste a posição da estrutura antes de a fixar à mesa

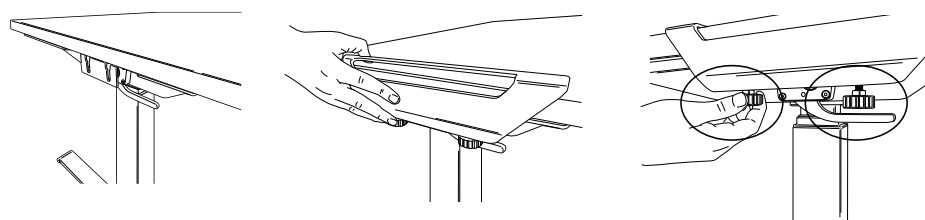
- Coloque o topo da mesa sobre a base, com a ajuda de duas pessoas.
- Verifique se os suportes do topo da mesa estão alinhados em cada um dos lados da mesa e alinhe com os orifícios de perfuração na mesa
- A travessa da estrutura traseira tem 240 mm (9,5") para topos com profundidade de 800 mm (31,5") a partir da traseira da mesa



## PASSO 3

Fixar a base à mesa


- Faça deslizar os fixadores de cada lado da mesa.
- Em cada fixador, aperte os parafusos de ajuste manual (2) até ouvir um clique.

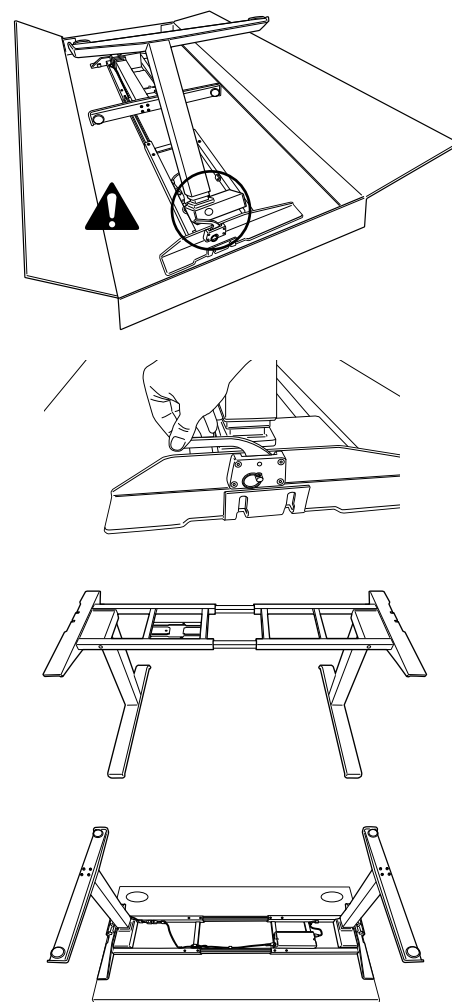


## OPÇÃO DE INSTALAÇÃO 2 - ESTRUTURA

### PASSO 1

Preparar a instalação com a ajuda de duas pessoas

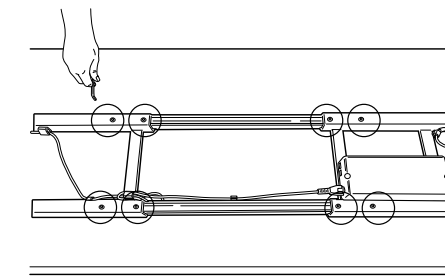
- Coloque a mesa voltada ao contrário sobre uma superfície macia, limpa.
- Certifique-se de que as alavancas na base estão na posição vertical.
- Desdobre as pernas até encaixarem,  **ADVERTÊNCIA:** Ponto de fixação! Mantenha as mãos e objetos afastados ao levantar as pernas.
- Bloqueie as pernas empurrando as alavancas para baixo.
- Opcional: Se tiver que dobrar as pernas, certifique-se de que a alavanca está na posição vertical e que a alimentação está desligada. Puxe o pino e com cuidado oriente e dobre as pernas.
- Retire a base da caixa e coloque-a sobre a mesa.
- A base é enviada ajustada para mesas com 1600 mm (63") de largura. Se a sua mesa não tiver 1600 mm (63") de largura, precisará de ajustar a largura da base 1187 - 1816 mm (47" - 71,5"). Consulte o passo 1B, ou passe para o passo 2.



## PASSO 1B - Apenas necessário se a mesa não tiver 1600 mm (63") de largura

Ajuste as travessas da estrutura para o comprimento final

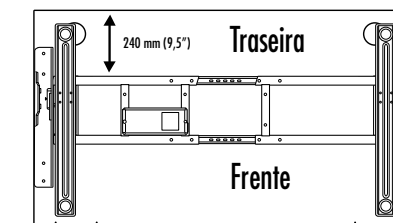
- Utilize a chave Allen de 5 mm para soltar os parafusos (8) de fixação do interior das travessas de estrutura.
- Alargue ou contraia as travessas da estrutura até alinhar com ambas as extremidades da mesa. Liberte os cabos conforme necessário para permitir ajustar a estrutura.
- Certifique-se do alinhamento correto nos orifícios de perfuração da mesa.
- Depois de devidamente ajustado, utilize a chave Allen de 5 mm para voltar a apertar os parafusos (8 no total) de fixação.



## PASSO 2

Ajuste a posição da estrutura antes de a fixar à mesa.

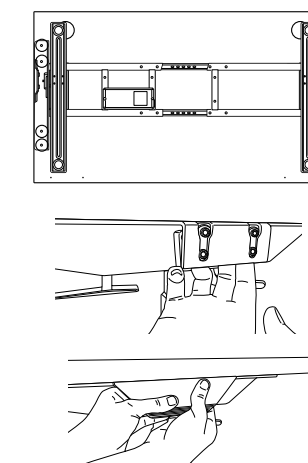
- Verifique se os suportes do topo estão alinhados em cada um dos lados da mesa e alinhe com os orifícios de perfuração na mesa.
- A travessa da estrutura traseira tem 240 mm (9,5") para topos com profundidade de 800 mm (31,5") a partir da traseira da mesa.



## PASSO 3

Fixar a base à mesa

- Utilize os parafusos de cabeça redonda M6 Phillips (8 no total necessários) e uma chave Phillips.
- Os parafusos passam pelas guias na parte superior dos suportes. Certifique-se do alinhamento correto com os orifícios de perfuração da mesa.
- Coloque a base e a mesa na posição vertical, com a ajuda de duas pessoas.
- Prenda as tampas do fixador de cada lado. Comece por colocar a peça mais pequena no interior do suporte do fixador. Alinhe a peça maior e aplique pressão para fixar.

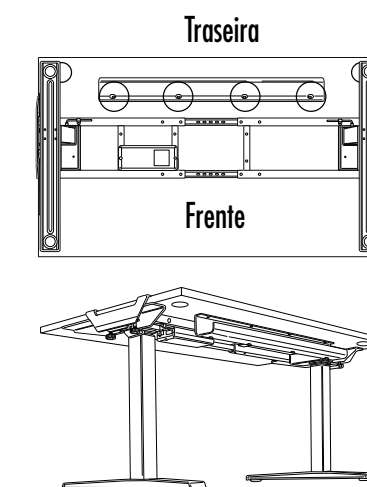


## INSTALAÇÃO DE ACESSÓRIOS

### PASSO 1

Gestão de cabos

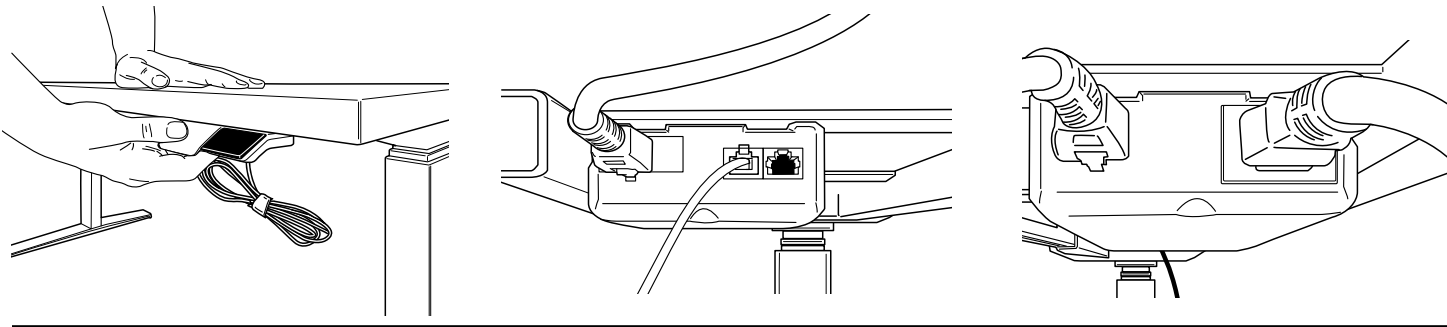
- Insira parcialmente (4) parafusos Philips nos orifícios pré-perfurados localizados na parte de trás da mesa.
- Prenda as ranhuras da chave da bandeja de cabos nos parafusos e deslize a bandeja para a travar no lugar. (Observação: a extremidade aberta da bandeja de cabos deve estar voltada para a parte de trás da mesa.)
- Aperte os (4) parafusos Philips para prender a bandeja de cabos.
- Utilize a gestão de cabos fornecida adicional conforme necessário.
- Os cabos não devem interferir com o funcionamento da mesa.
- Os cabos não devem interferir com o utilizador.



## PASSO 2

Fixe o conjunto utilizando a fita adesiva incluída ou os dois parafusos de cabeça redonda M3 Phillips

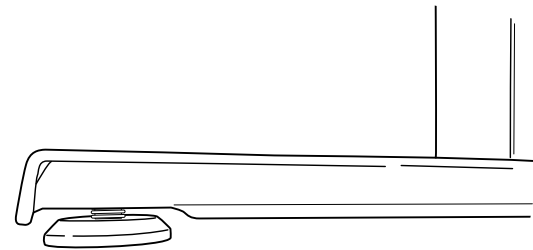
- Posicione o conjunto do lado esquerdo ou direito da mesa, de acordo com a preferência do utilizador.
- Monte o conjunto alinhado com a extremidade dianteira da mesa. Se utilizar o método de fixação M3, certifique-se de que o conjunto está alinhado com os orifícios de perfuração da mesa.
- Ligue o conjunto ao controlador na base.
- Ligue o cabo de alimentação ao controlador na base e a uma tomada de alimentação.



## PASSO 3

Nivelar os pés

- Se a mesa ficar desequilibrada, ajuste os discos de nivelção (4) localizados na parte inferior dos pés
- Rode para a direita para descer e para a esquerda para subir



## INSTRUÇÕES DE FUNCIONAMENTO

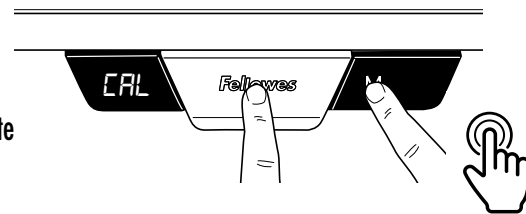
### INICIAR O SISTEMA

**AVISO:** É necessário apenas uma ligeira pressão para operar o dispositivo. Ao baixar a mesa, aplique uma leve pressão no centro do dispositivo (logótipo da Fellowes). Aplicar muita pressão, puxar ou empurrar a parte inferior do dispositivo pode causar danos à unidade.

**IMPORTANTE:** O processo de inicialização abaixo deve ser concluído antes de operar a mesa. Durante a operação de inicialização, CAL aparece e mantém-se até o procedimento ser concluído.

**ATENÇÃO:** Assegure uma distância adequada. Certifique-se de que a mesa está desimpedida de objetos

- Toque levemente no logótipo da Fellowes e nos botões M em simultâneo durante 10-15 segundos.
- As pernas começam a descer a meia velocidade do funcionamento normal.
- Continue a manter os botões pressionados.
- As pernas descem para a posição mais baixa e, depois, ressaltam 2 mm a 5 mm (1/16" a 3/16") e param. Isto pode demorar entre 10-45 segundos, dependendo da espessura do tampo da mesa.
- Sote ambos os botões simultaneamente. Fica assim concluído o procedimento de inicialização.
- Se a inicialização for iniciada e não for concluída, a mesa não funciona. Deve concluir o processo de inicialização.



## FUNCIONAMENTO GERAL

Mova a mesa para cima ou para baixo mantendo levemente o dedo na parte superior ou traseira do dispositivo até a superfície de trabalho alcançar a altura pretendida.

A mesa continua a subir e a descer até soltar o botão ou até atingir a altura máxima ou mínima.

### POSIÇÕES DE PARAGEM DE MEMÓRIA

Existem dois grupos de definições de memória, cada um com duas definições de altura. Para alternar entre dois utilizadores momentaneamente pressione o botão M e o ecrã apresenta U1 ou U2. Podem ser utilizadas até quatro posições de paragem memorizadas para guardar alturas específicas da superfície de trabalho. Para definir uma posição específica:

Eleve ou desça a mesa para a posição que pretende guardar.

Toque levemente no botão M durante dois segundos e o visor LED piscará. Isto significa que armazenou o local. Para limpar as configurações de armazenamento, toque levemente no botão M durante 8 segundos até aparecer CLR.

### MUDAR AS UNIDADES DE VISUALIZAÇÃO DE ALTURA

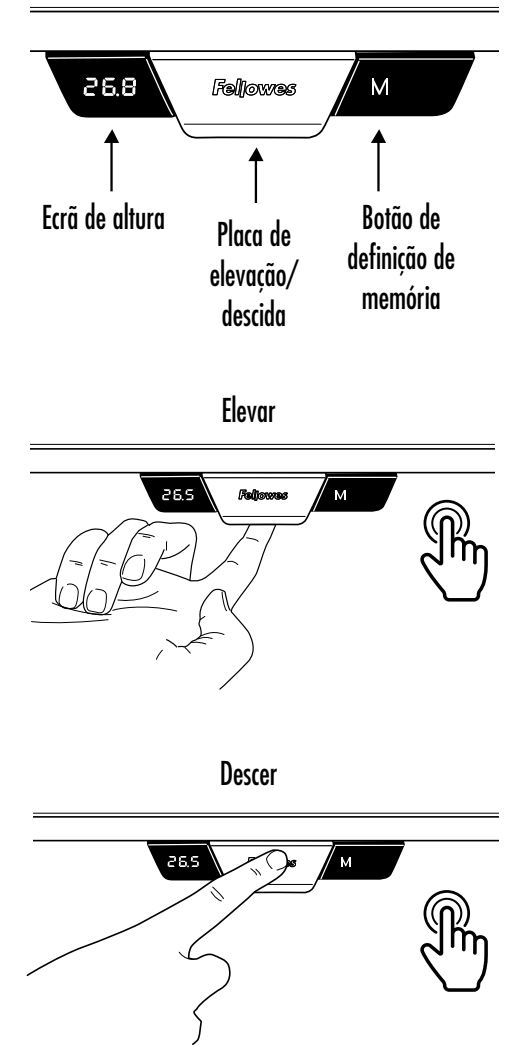
Esta função permite-lhe alternar as unidades de visualização de polegadas para centímetros.

Toque levemente e segure para cima e para baixo ao mesmo tempo durante 10 segundos.

### REINICIAR O SISTEMA PARA AS CONFIGURAÇÕES DE FÁBRICA

Para repor as configurações de fábrica do dispositivo, siga as mesmas instruções de "Iniciar o sistema".

Em caso de mensagem de erro ou no caso de falha de energia, reinicie o sistema.



## GARANTIA LIMITADA DE BASE DE MESA DE ALTURA AJUSTÁVEL FELLOWES LEVADO™

A Fellowes, Inc. (a "Companhia") garante que a base de mesa de altura ajustável Levado™ ("Produto") está isenta de defeitos de material e fabrico durante o período de tempo estabelecido abaixo.

A estrutura por um período de quinze (15) anos a partir da data de aquisição original do produto.

Todos os componentes elétricos por um período de sete (7) anos a partir da data de aquisição original do produto.

Esta garantia aplica-se apenas ao comprador inicial e não cobre reclamações resultantes de utilização indevida, incapacidade de seguimento das instruções de instalação e utilização, negligência, utilização de acessórios não autorizados, utilização comercial, utilização numa corrente ou tensão que não as especificadas no produto, ou manutenção não autorizada durante o período de garantia sob condições além das cobertas pela garantia.

A DURAÇÃO DE QUAISQUER GARANTIAS IMPLÍCITAS, INCLUINDO, SEM LIMITAÇÃO, QUAISQUER GARANTIAS IMPLÍCITAS DE COMERCIALIZAÇÃO OU ADEQUAÇÃO A UM DETERMINADO FIM, É EXPRESSAMENTE LIMITADA À DURAÇÃO DESTA GARANTIA LIMITADA.

A MENOS QUE EXIGIDO PELA LEGISLAÇÃO APLICÁVEL, O RECURSO EXCLUSIVO DO CLIENTE EM CASO DE VIOLAÇÃO DESTA GARANTIA, OU DE QUALQUER GARANTIA IMPLÍCITA, OU DE QUALQUER OUTRO TIPO DE OBRIGAÇÃO RESULTANTE POR EFEITO LEGAL OU POR OUTRA FORMA, DEVERÁ ESTAR LIMITADO, CONFORME ESPECIFICADO NO PRESENTE DOCUMENTO, À REPARAÇÃO, SUBSTITUIÇÃO OU UM REEMBOLSO DO VALOR DA COMPRA, AO CRITÉRIO EXCLUSIVO DA COMPANHIA.

SOB NENHUMA CIRCUNSTÂNCIA A COMPANHIA, OS SEUS AFILIADOS, SUBSIDIÁRIOS, ENTIDADES RELACIONADAS, REVENDEDORES OU OS SEUS RESPECTIVOS RESPONSÁVEIS, DIRETORES OU EMPREGADOS, OU AQUELAS PESSOAS PELAS QUAIS SÃO LEGALMENTE RESPONSÁVEIS, SERÃO RESPONSÁVEIS POR DANOS CONSEQUENTES OU INCIDENTAIS SOFRIDOS EM RELAÇÃO AO PRODUTO. A COMPANHIA E AS REFERIDAS PARTES NÃO ASSUMEM OU AUTORIZAM QUE QUALQUER REPRESENTANTE OU OUTRA PESSOA ASSUMA POR NENHUMA DELAS, QUALQUER OBRIGAÇÃO OU RESPONSABILIDADE ALÉM DO EXPRESSAMENTE ESTABELECIDO NO PRESENTE DOCUMENTO.

A duração, termos e condições desta garantia são válidos em todo o mundo, exceto onde diferentes limitações, restrições ou condições sejam exigidas pela legislação local.

Exclusivamente para os residentes da Austrália:

Os nossos produtos vêm com garantias que não podem ser excluídas segundo a Lei do Consumidor da Austrália. O cliente tem o direito à substituição ou ao reembolso em caso de uma avaria maior e à compensação para quaisquer outras perdas ou danos razoavelmente previsíveis. O cliente tem também o direito de mandar reparar ou substituir os produtos, se os produtos não apresentarem uma qualidade aceitável e se a avaria não atinge proporções de uma avaria maior. Os benefícios da Garantia Fellowes são adicionais a outros direitos e recursos, segundo a lei, em relação ao produto.

# W.E.E.E.

## English

This product is classified as Electrical and Electronic Equipment. Should the time come for you to dispose of this product please ensure that you do so in accordance with the European Waste of Electrical and Electronic Equipment (WEEE) Directive and in compliance with local laws relating to this directive.

For more information on the WEEE Directive please visit [www.fellowes.com/WEEE](http://www.fellowes.com/WEEE)

## French

Ce produit est classé dans la catégorie « Équipement électrique et électronique ». Lorsque vous déciderez de vous en débarrasser, assurez-vous d’être en parfaite conformité avec la directive européenne relative à la gestion des déchets d’équipements électriques et électroniques (DEEE), et avec les lois de votre pays liées à cette directive.

Pour obtenir des plus amples informations sur cette directive, rendez-vous sur [www.fellowes.com/WEEE](http://www.fellowes.com/WEEE)

## Spanish

Se clasifica este producto como Equipamiento Eléctrico y Electrónico. Si llegase el momento de deshacerse de este producto, asegúrese que lo hace cumpliendo la Directiva Europea sobre Residuos de Equipamiento Eléctrico y Electrónico (Waste of Electrical and Electronic Equipment, WEEE) y las leyes locales relacionadas con esta directiva.

Para más información acerca de la Directiva WEEE, visite [www.fellowes.com/WEEE](http://www.fellowes.com/WEEE)

## German

Dieses Produkt ist als Elektro- und Elektronikgerät klassifiziert. Wenn Sie dieses Gerät eines Tages entsorgen müssen, stellen Sie bitte sicher, dass Sie dies gemäß der Europäischen Richtlinie zu Sammlung und Recycling von Elektro- und Elektronikgeräten (WEEE) und in Übereinstimmung mit der lokalen Gesetzgebung in bezug auf diese Richtlinie tun.

Mehr Informationen zur WEEE-Richtlinie finden Sie unter: [www.fellowes.com/WEEE](http://www.fellowes.com/WEEE)

## Italian

Questo prodotto è classificato come Dispositivo Elettrico ed Elettronico. Al momento dello smaltimento di questo prodotto, effettuarlo in conformità alla Direttiva Europea sullo Smaltimento dei Dispositivi Elettrici ed Elettronici (WEEE) e alle leggi locali ad essa correlate.

Per ulteriori informazioni sulla Direttiva WEEE, consultare il sito [www.fellowes.com/WEEE](http://www.fellowes.com/WEEE)

## Dutch

Dit product is geclassificeerd als een elektrisch en elektronisch apparaat. Indien u besluit zich te ontdoen van dit product, zorg dan a.u.b. dat dit gebeurt in overeenstemming met de Europese richtlijn inzake afval van elektrische en elektronische apparaten (AEEA) en conform de lokale wetgeving met betrekking tot deze richtlijn.

Voor meer informatie over de AEEA-richtlijn kunt u terecht op [www.fellowes.com/WEEE](http://www.fellowes.com/WEEE)

## Swedish

Denna produkt är klassificerad som elektrisk och elektronisk utrustning. När det att dags att omhänderta produkten för avfallshantering se då till att detta utförs i enlighet med WEEE-direktivet om hantering av elektrisk och elektronisk utrustning och i enlighet med lokala bestämmelser relaterade till detta direktiv.

För mer information om WEEE-direktivet besök gärna [www.fellowes.com/WEEE](http://www.fellowes.com/WEEE)

## Polish

Ten produkt został zaklasyfikowany do grupy urządzeń elektrycznych i elektronicznych. W celu pozbycia się zużytego sprzętu będącego w Państwa posiadaniu należy postępować zgodnie z Europejską Dyrektywą w sprawie zużytego sprzętu elektrycznego i elektronicznego (WEEE) oraz z lokalnie obowiązującym prawem.

Więcej informacji znajdziecie Państwo na stronie www: [www.fellowes.com/WEEE](http://www.fellowes.com/WEEE)

## Russian

Данное изделие классифицировано как электрическое и электронное оборудование. Когда придет время утилизировать данное изделие, пожалуйста, обеспечьте соблюдение Директивы Евросоюза об утилизации отходов электрического и электронного оборудования (Waste of Electrical and Electronic Equipment, WEEE) и местных законов, связанных с нею.

Для получения дополнительной информации о директиве WEEE, пожалуйста, посетите веб-сайт [www.fellowes.com/WEEE](http://www.fellowes.com/WEEE)

## Portuguese

Este produto está classificado como Equipamento Eléctrico e Electrónico. Quando chegar a altura de eliminar este produto, certifique-se de que o faz em conformidade com a Directiva relativa a Resíduos de Equipamentos Eléctricos e Electrónicos (REEE) e em observância da legislação local relativa a esta directiva.

Para obter mais informações sobre a Directiva relativa a Resíduos de Equipamentos Eléctricos e Electrónicos (REEE), visite o endereço [www.fellowes.com/WEEE](http://www.fellowes.com/WEEE)